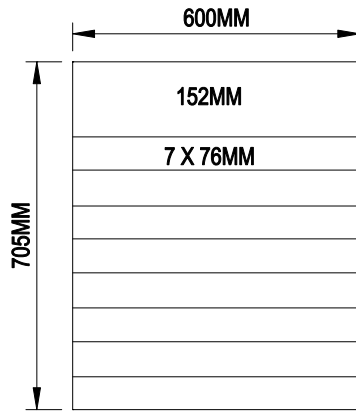
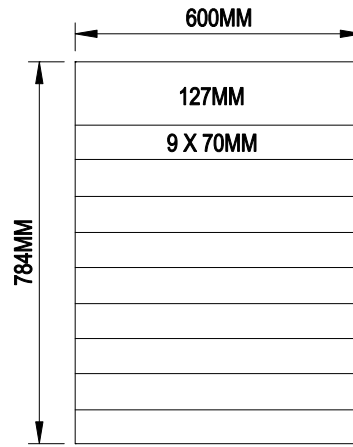




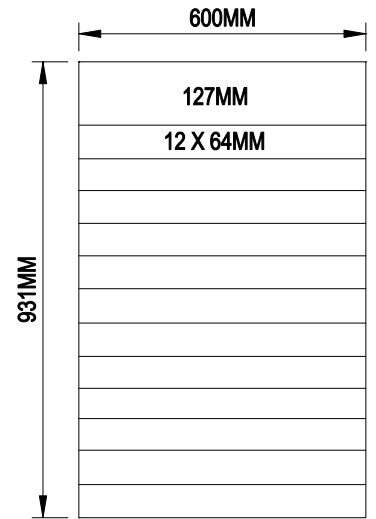
VISTA SYSTEM
 1800 N. EAST AVENUE, UNIT 102
 SARASOTA, FL 34234
 TOLL FREE: 1- 800-GO-VISTA
 FAX: 1-888-316-5198
 www.vistasystem.com



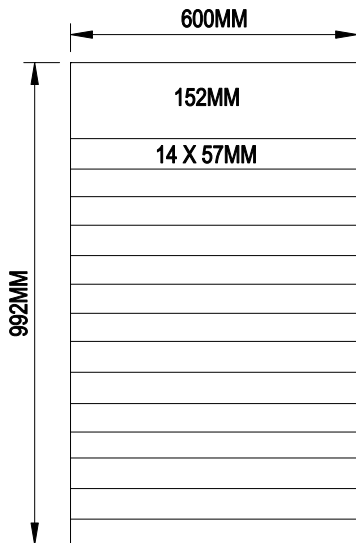
D17



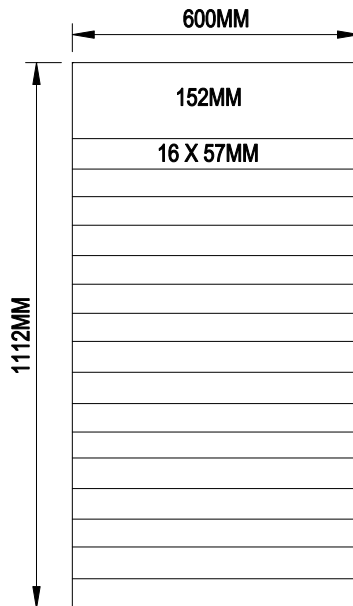
D18



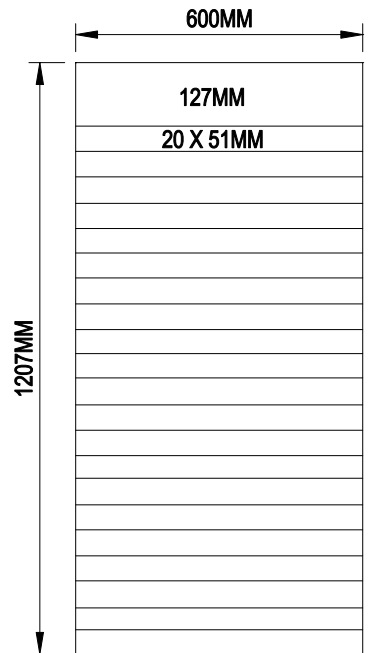
D19



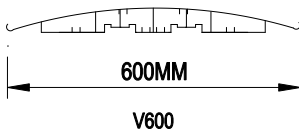
D20



D21



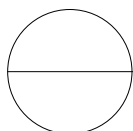
D22



V600

NOTES:

1. INSTALLATION TO BE COMPLETED IN ACCORDANCE WITH MANUFACTURERS SPECIFICATIONS.
2. DO NOT SCALE DRAWINGS.
3. THESE MODELS ARE ONLY A SAMPLE OF THE UNLIMITED CONFIGURATIONS POSSIBLE WITH VISTA SYSTEMS. PLEASE CALL FOR QUOTE.



DIRECTORY FRAMES

V600

