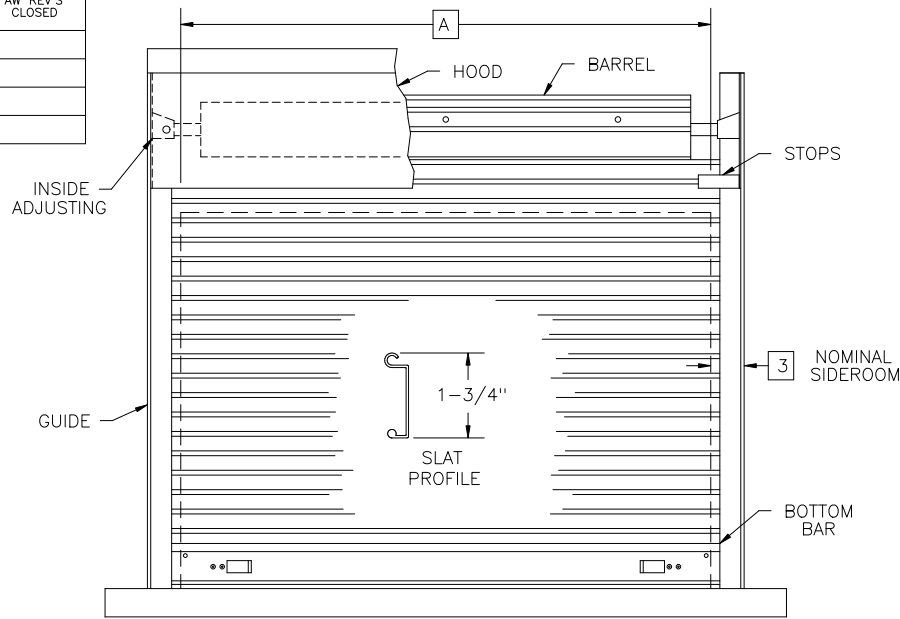
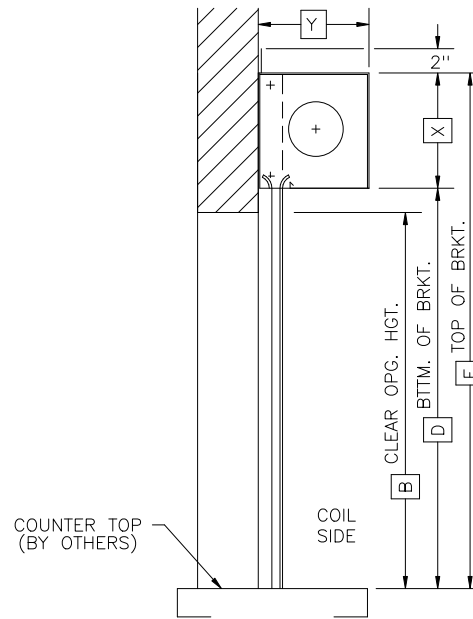


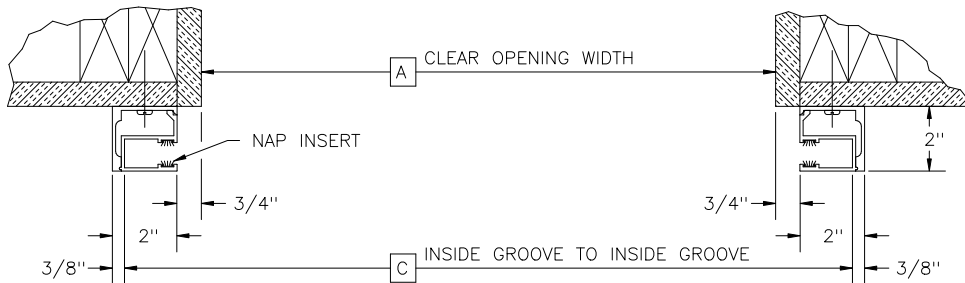
ITEM NO.	AW REV'S CLOSED
01	



COILSIDE ELEVATION
RIGHT HAND OPERATED DOOR SHOWN
LEFT HAND OPERATED DOOR OPPOSITE



VERTICAL SECTION



GUIDE SECTION

NOTE: WIDTH **C** IS IMPORTANT AND MUST BE HELD

DOOR QTY.	ITEM NO.	HAND OF OPER.	CUST. OPG. NO.	WIDTHS			HEIGHTS			GUIDE TYPE		FOR BRACKET		SLAT LENGTH
				A	C	E	B	D	F	L	R	X	Y	
1	01	RH		5' 0"	5' 4-3/4"	---	4' 0"	4' 2"	4' 11-1/2"			9-1/2"	9-1/8"	5' 3-3/4"

CSF1

GENERAL NOTES

CURTAIN IS 16 GA B&S (.050"), FLAT TYPE FA1.
BOTTOM BAR IS EXTRUDED ALUMINUM.
GUIDES ARE EXTRUDED ALUMINUM WITH POLYPROPYLENE PILE STRIPS.
HOODS ARE 20 GA B&S (.032") ALUMINUM.

NOTES

CURTAIN FINISH : CLEAR ANODIZED ALUM.
BOTTOM BAR FINISH : CLEAR ANODIZED ALUM.
GUIDE FINISH : CLEAR ANODIZED ALUM.
OPTIONS ON THIS/THESE DOORS :
SLIDE BOLTS OPERABLE COIL SIDE
ENGAGING BOTH JAMBS
ASTRAGAL ON BOTTOM BAR
FRONT HOOD : CLEAR ANODIZED ALUM.

NOTE: THIS DRAWING IS INTENDED FOR EXAMPLE PURPOSES ONLY. DIMENSIONS WILL CHANGE WITH DOOR SIZE. CONSULT FACTORY FOR SPECIFIC DETAILS PER JOB.



Rolling Door Division

COUNTER SHUTTER MODEL : CSF1AA

PROJECT :

SAMPLE DRAWING

ARCH :

G.C. :

DISTR :

DISTR P.O. NO. : PREPARED BY : DATE : 12/11/95

QUOTE NUMBER ORDER NUMBER DWG. NO.

OF

Target: Scale to fit 11x17
COUNTER SHUTTER MODEL : CSF1AA