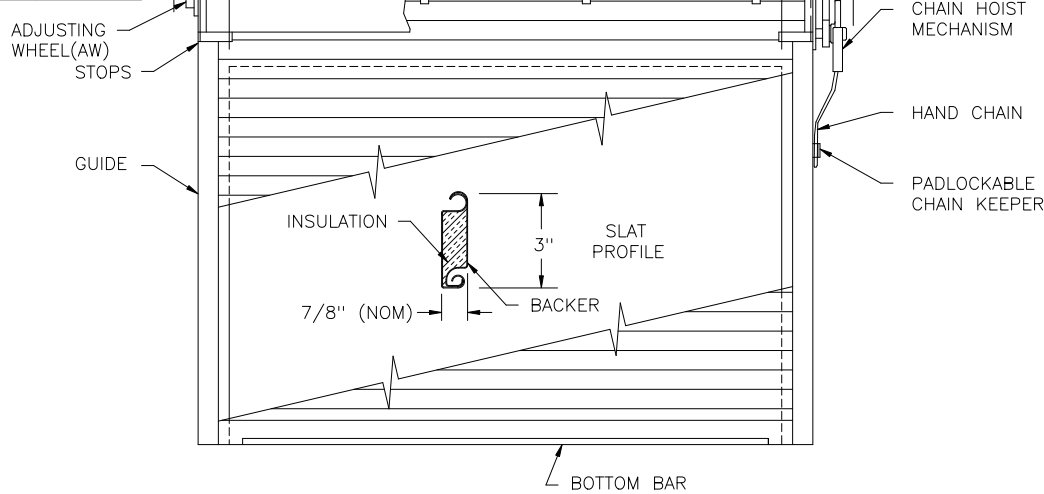
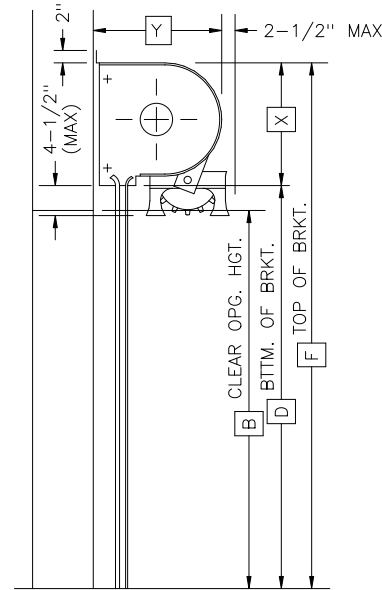


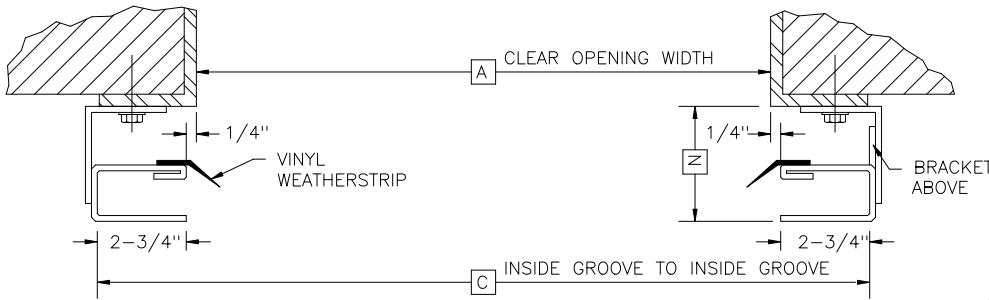
ITEM NO.	AW REV'S OPEN
01	



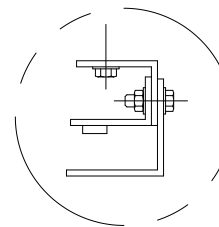
COILSIDE ELEVATION
RIGHT HAND OPERATED DOOR SHOWN
LEFT HAND OPERATED DOOR OPPOSITE



VERTICAL SECTION



GUIDE SECTION



OPTIONAL THREE ANGLE GUIDE

NOTE: WIDTH **C** IS IMPORTANT AND MUST BE HELD

DOOR QTY.	ITEM NO.	HAND OF OPER.	CUST. OPG. NO.	WIDTHS			HEIGHTS			GUIDE			FOR BRACKET	SLAT LENGTH
				A	C	E	B	D	F	N	X	Y		
1	01	RH		14'0"	14'6"		14'0"	14'2"	16'0"	5-1/16"	22"	21"		14'3-1/4"

SDF2

GENERAL NOTES

DESIGNED TO WITHSTAND 20 #/SqFt WINDLOAD. CURTAIN IS 22 GA STEEL INSULATED. ENDLOCKS ON EACH END OF EVERY OTHER SLAT. BOTTOM BAR IS GALVANIZED STEEL. DOUBLE ANGLE WITH ASTRAGAL STANDARD. GUIDES ARE ROLL FORMED WITH INTEGRAL BAR. HOODS ARE 24 GA GALVANIZED STEEL. SHOP COAT OF RUST INHIBITIVE PRIMER ON NONGALVANIZED STEEL SURFACES. ALL GALVANIZING PER ASTM. A-525 STANDARDS. DOOR(S) OPERATED BY MEANS OF REDUCTION GEARS OR ROLLER CHAIN SPROCKETS WITH LIFT EFFORT NOT TO EXCEED 25 LBS. ELECTRO GALVANIZED HAND CHAIN FURNISHED WITH PADLOCKABLE CHAIN KEEPER.

NOTES

CURTAIN FINISH : GALVANIZED & PRIME STEEL
BOTTOM BAR FINISH : GALVANIZED STEEL
GUIDE FINISH : PRIMED STEEL
HOOD(S) FINISH : GALVANIZED & PRIME STEEL
OPTIONS ON THIS/THESE DOORS :
NEOPRENE BAFFLE INSIDE HOOD

NOTE: THIS DRAWING IS INTENDED FOR EXAMPLE PURPOSES ONLY. DIMENSIONS WILL CHANGE WITH DOOR SIZE. CONSULT FACTORY FOR SPECIFIC DETAILS PER JOB.



Rolling Door Division

THERMOTITE DOOR MODEL : SDF2PSC

PROJECT : **SAMPLE DRAWING**

ARCH :		
G.C. :		
DISTR :		
DISTR P.O. NO. :	PREPARED BY :	DATE : 12/11/95
QUOTE NUMBER	ORDER NUMBER	DWG. NO.
		OF

Target: Scale to fit 11x17
800C ROLLING DOOR