



LifeGuard IG®

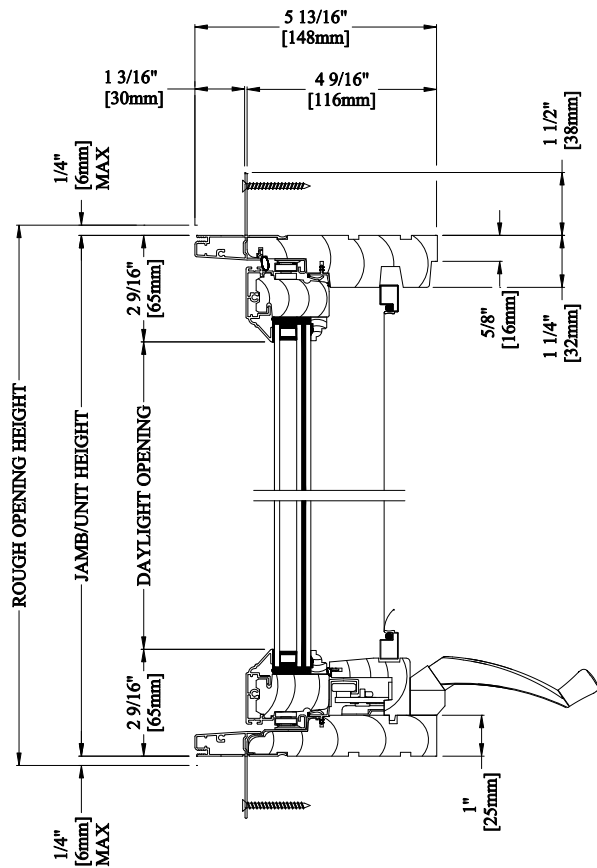
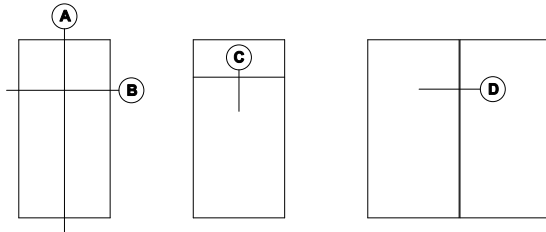
Premium Aluminum Clad Windows & Doors

LIFEGUARD IG - WEATHER SHIELD ALUMINUM CLAD CASEMENT WITH COLONIAL SASH AND GLAZING BEAD (SHOWN WITH NAILING FIN INSTALLATION)

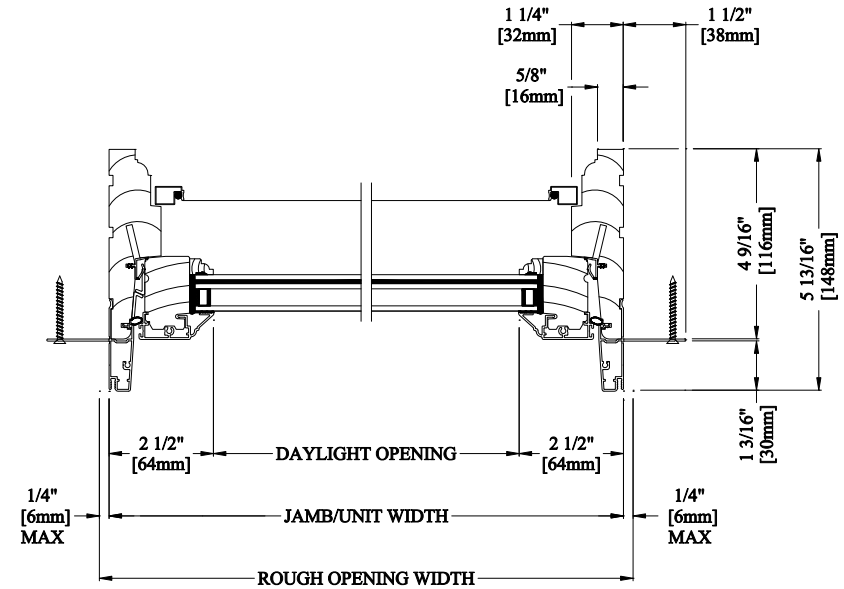
- WEATHER SHIELD RESERVES THE RIGHT, AS NECESSARY, TO CHANGE PRODUCT SPECIFICATIONS AND MATERIALS WITHOUT NOTICE.
- DIMENSIONS MAY BE ROUNDED TO THE NEAREST 1/16" [2mm].
- LIFEGUARD IG WINDOWS AND DOORS REQUIRE SPECIFIC INSTALLATION TO MEET THE ACHIEVED DESIGN PRESSURES. CORROSION-RESISTANT ANCHORS ARE RECOMMENDED AND MAY BE EXPOSED. PLEASE REFER TO THE ENGINEERING DRAWINGS FOR EACH PRODUCT'S INSTALLATION.

SCALE: ELECTRONIC FILE IS FULL SCALE
INTRODUCED 1/08

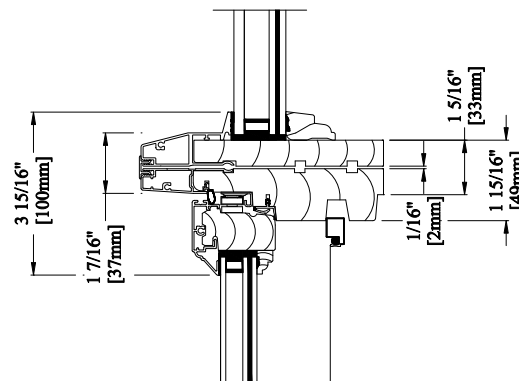
HOLD THE CONTROL KEY AND CLICK ON A SPECIFIC SECTION TO OPEN THE .DWG FILE FOR THAT SECTION



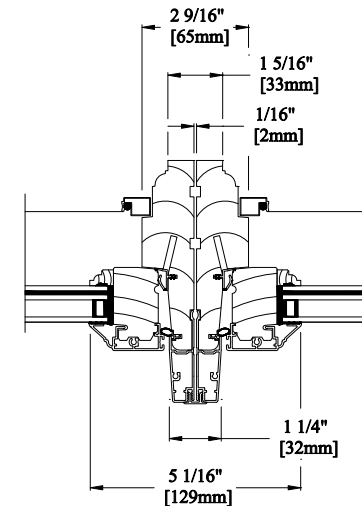
A - VERTICAL SECTION



**B - HORIZONTAL SECTION
(LEFT OPERATION SHOWN)**



C - HORIZONTAL TIGHT STACK SECTION



**D - VERTICAL TIGHT MULL SECTION
(LEFT / RIGHT OPERATION SHOWN)**