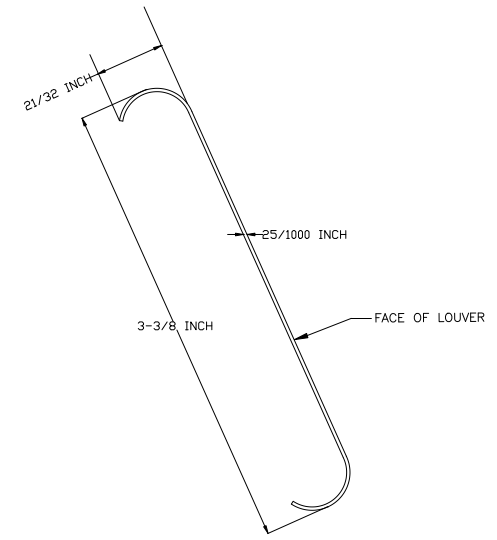
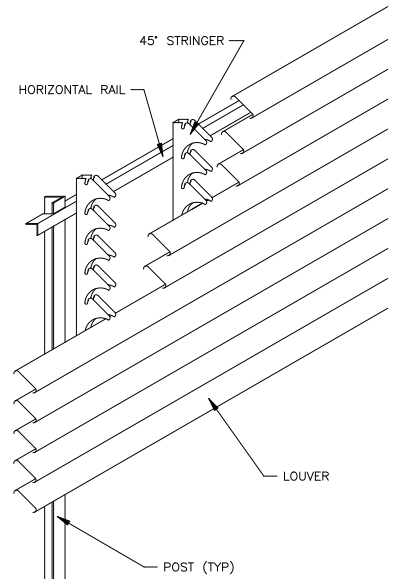


# Standard Details

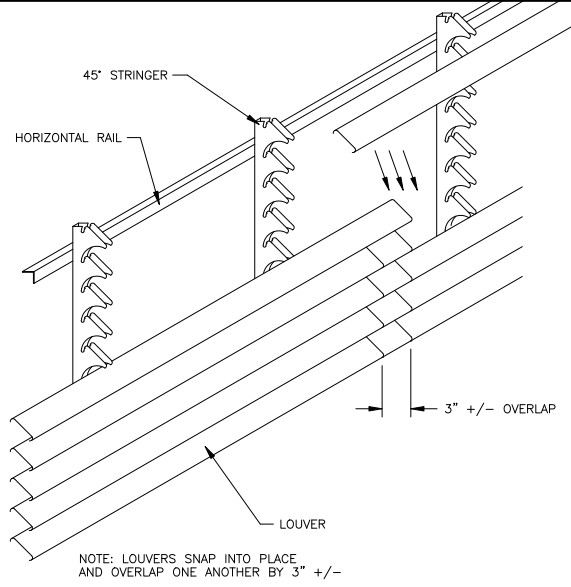
For Maximum Concealment As Viewed From Above Looking Down



Louver 3005-H26 aluminum alloy

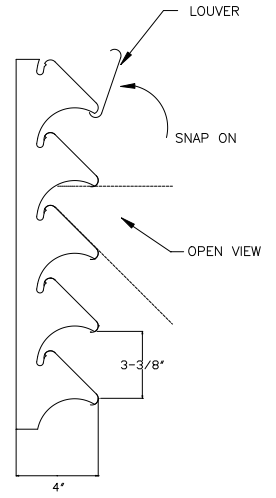


Cut away view



Screen assembly

NOTE: LOUVERS SNAP INTO PLACE AND OVERLAP ONE ANOTHER BY 3" +/-



Louver assembly  
45 DEGREE STRINGER  
60% FREE AIR FLOW

for:  
project:  
product: 45° Econo. Span Screen

**Willard Shutter Company, Inc.**  
4420 N.W. 35th Court Miami, FL 33142  
(305) 633-0162 (800) 826-4530 fax (305) 638-8634  
**Concealment Screen**

date: n.t.s.  
scale: Please Specify  
color: Please Specify  
drwn:  
rev:

drawing number: