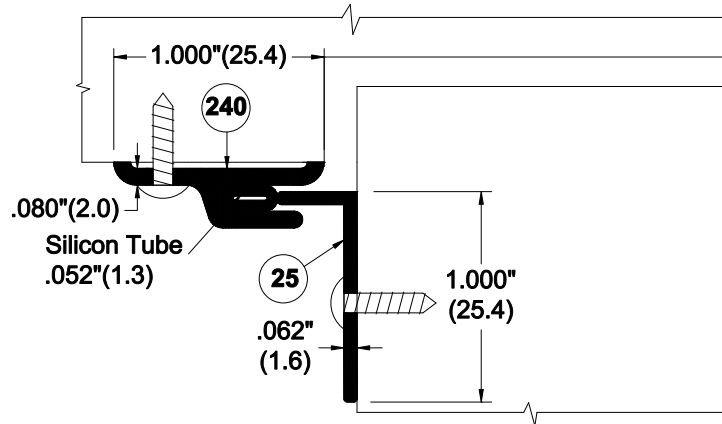


**Series 42**

Security seal - when installed  
with tamper proof fasteners.



- ②40 Head and Jamb - Security Seal
- ②5 Accessory Interlocking Angle



415 Concord Avenue      tel: 718-585-3230  
Bronx, NY 10455      fax: 718-292-2243  
email: zero@zerointernational.com  
web site: www.zerointernational.com

Part No :  
Series 42

Notes:

Part Description :  
Head & Jamb Protection  
Application  
-Stop Applied  
-Aluminum Security Seal

Provided By :

Customer Name :

Job No :

Date :