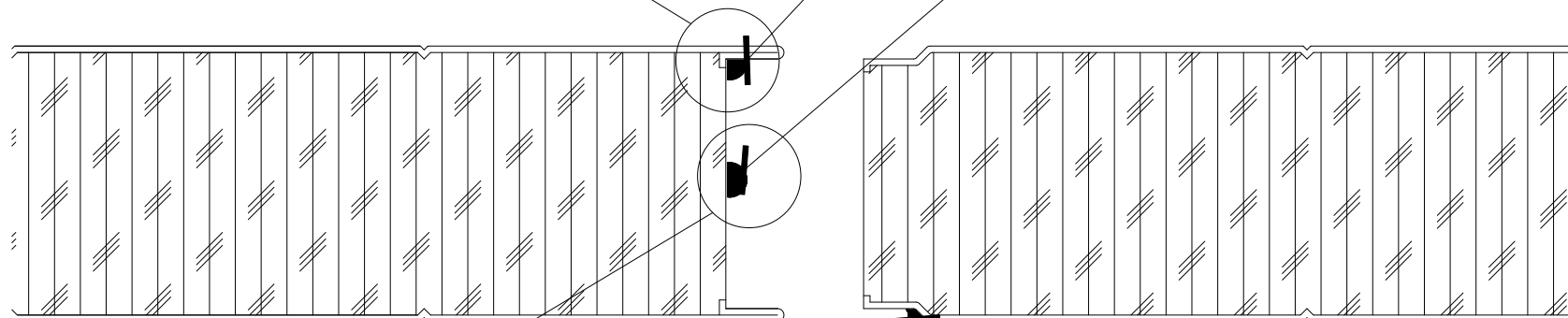


ON ALL JOINTS A $\frac{3}{8}$ " DIA.
BEAD OF BUTYL CAULK TO
BE PLACED ON THE WARM
SIDE OF THE PANEL JOINT
AS SHOWN

WARM SIDE

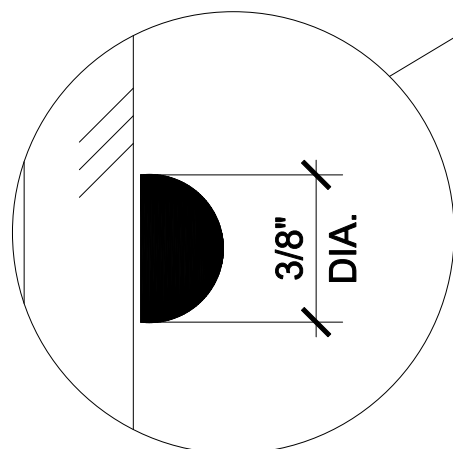
1 HEAVY BEAD OF
BUTYLOID CAULKING ON
PANEL JOINT ($\frac{3}{8}$ " DIA.
BEADS TYPICAL)

2 BEADS FOR FREEZER & ALL
EXTERIOR APPLICATIONS, OR
AS SPECIFIED IN COOLER
APPLICATIONS



COLD SIDE

TREMCO PROGLAZE
SILICONE OR APPROVED
ALTERNATE ON PANEL
JOINTS FOR FEDERALLY
INSPECTED AREAS ONLY
OR AS SPECIFIED



CAULKING DETAIL @ PANEL JOINT