



ecoglo®

VISIBLY BETTER

ECOGLO INC.
 241 MAIN STREET, SUITE 100
 BUFFALO, NY 14203
 TOLL FREE: 1-888-679-4022
 www.ecoglo.us

SELECT DESIRED LENGTH:

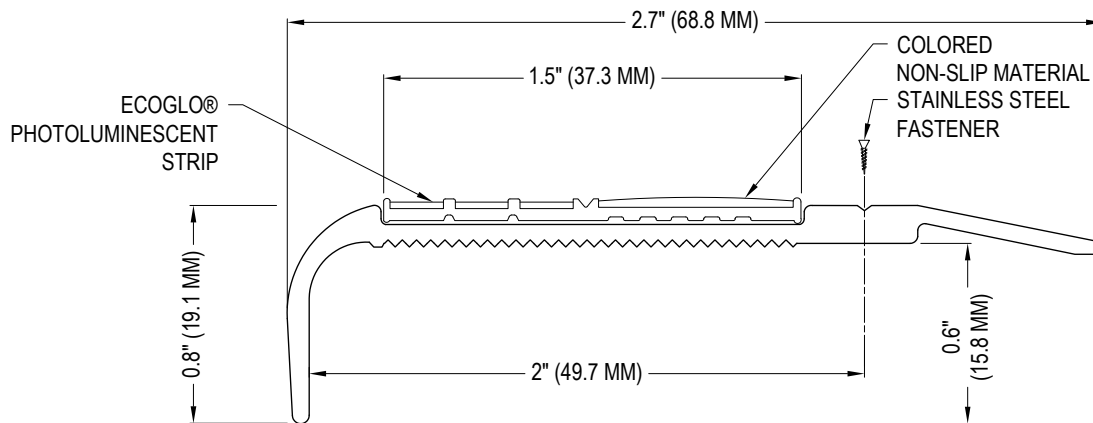
- 8' (STANDARD)
- 10' (STANDARD)

SELECT DESIRED COLOR (NON-SLIP MATERIAL):

- BLACK (F5B171)
- GREY (F5B161)
- YELLOW (F5B151)

SELECT DESIRED ALUMINUM FINISH (STAIR NOSING):

- CLEAR ANODIZED (STANDARD)
- BLACK ANODIZED
- LIGHT BRONZE ANODIZED
- DARK BRONZE ANODIZED



ECOGLO-PROFILE
F5B-E20 STAIR NOSING

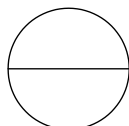
SPECIFICATIONS:

WEIGHT: 0.348 LBS/FT

- INSTALL WITH POLYURETHANE ADHESIVE AND MECHANICAL FASTENERS, OR ADHESIVE ONLY.
- SUPPLIED WITH PRE-DRILLED COUNTERSUNK HOLES. INCLUDES STAINLESS STEEL FASTENERS AND CONCRETE NYLON ANCHORS. STANDARD LOCATION IS 2" FROM EACH END AND APPROX. 12" APART.
- INSERTS ATTACHED OR UNATTACHED - UNATTACHED IS RECOMMENDED FOR ON-SITE CUTTING. INSERTS ARE INSTALLED WITH A PREMIUM POLYURETHANE ADHESIVE.
- AVAILABLE IN CUT TO LENGTH SIZES (TOLERANCE $\pm 1/8"$)

NOTES:

1. INSTALLATION TO BE COMPLETED IN ACCORDANCE WITH MANUFACTURER'S SPECIFICATIONS.
2. DO NOT SCALE DRAWING.
3. THIS DRAWING IS INTENDED FOR USE BY ARCHITECTS, ENGINEERS, CONTRACTORS, CONSULTANTS AND DESIGN PROFESSIONALS FOR PLANNING PURPOSES ONLY. THIS DRAWING MAY NOT BE USED FOR CONSTRUCTION.
4. ALL INFORMATION CONTAINED HEREIN WAS CURRENT AT THE TIME OF DEVELOPMENT BUT MUST BE REVIEWED AND APPROVED BY THE PRODUCT MANUFACTURER TO BE CONSIDERED ACCURATE.
5. CONTRACTOR'S NOTE: FOR PRODUCT AND COMPANY INFORMATION VISIT www.CADdetails.com/info AND ENTER REFERENCE NUMBER 4776-054.



FLAT STAIR NOSINGS - LUMINOUS AND NON-SLIP

F5B-E20 SERIES LUMINOUS FLAT STAIR NOSINGS