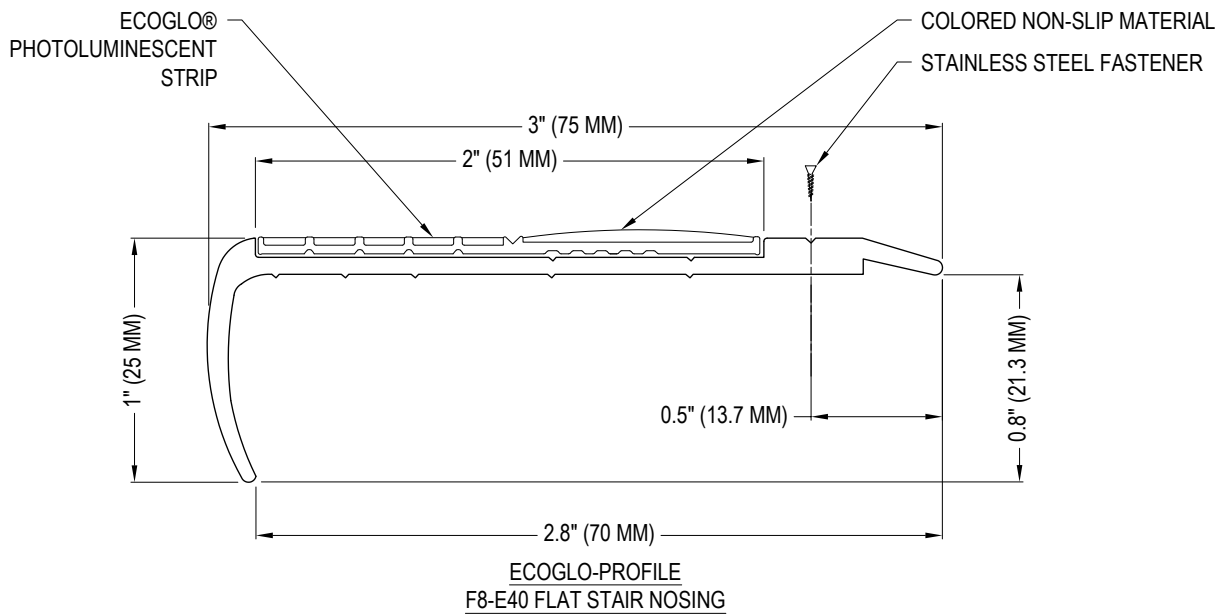


- | | | |
|--|---|--|
| <input checked="" type="checkbox"/> SELECT DESIRED LENGTH: | <input checked="" type="checkbox"/> SELECT DESIRED COLOR (NON-SLIP MATERIAL): | <input checked="" type="checkbox"/> SELECT DESIRED ALUMINUM FINISH (STAIR NOSING): |
| <input type="checkbox"/> 8' (STANDARD) | <input type="checkbox"/> BLACK (FA8171) | <input type="checkbox"/> 6063-T5 ALUMINUM (STANDARD) |
| <input type="checkbox"/> 10' (STANDARD) | <input type="checkbox"/> GREY (FA8161) | <input type="checkbox"/> BLACK ANODIZED (STANDARD) |
| | <input type="checkbox"/> YELLOW (FA8151) | <input type="checkbox"/> MILL (STANDARD) |
| | | <input type="checkbox"/> CLEAR ANODIZED (STANDARD) |
| | | <input type="checkbox"/> LIGHT BRONZE ANODIZED |
| | | <input type="checkbox"/> DARK BRONZE ANODIZED |



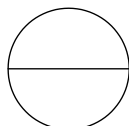
SPECIFICATIONS:

WEIGHT: 0.456 LBS/FT

- INSTALL WITH POLYURETHANE ADHESIVE AND MECHANICAL FASTENERS, OR ADHESIVE ONLY.
- SUPPLIED WITH PRE-DRILLED COUNTERSUNK HOLES. INCLUDES STAINLESS STEEL FASTENERS AND CONCRETE NYLON ANCHORS. STANDARD LOCATION IS 2" FROM EACH END AND APPROX. 12" APART.
- INSERTS ATTACHED OR UNATTACHED - UNATTACHED IS RECOMMENDED FOR ON-SITE CUTTING. INSERTS ARE INSTALLED WITH A PREMIUM POLYURETHANE ADHESIVE.
- AVAILABLE IN CUT TO LENGTH SIZES (TOLERANCE $\pm 1/8"$).

NOTES:

1. INSTALLATION TO BE COMPLETED IN ACCORDANCE WITH MANUFACTURER'S SPECIFICATIONS.
2. DO NOT SCALE DRAWING.
3. THIS DRAWING IS INTENDED FOR USE BY ARCHITECTS, ENGINEERS, CONTRACTORS, CONSULTANTS AND DESIGN PROFESSIONALS FOR PLANNING PURPOSES ONLY. THIS DRAWING MAY NOT BE USED FOR CONSTRUCTION.
4. ALL INFORMATION CONTAINED HEREIN WAS CURRENT AT THE TIME OF DEVELOPMENT BUT MUST BE REVIEWED AND APPROVED BY THE PRODUCT MANUFACTURER TO BE CONSIDERED ACCURATE.
5. CONTRACTOR'S NOTE: FOR PRODUCT AND COMPANY INFORMATION VISIT www.CADdetails.com/info AND ENTER REFERENCE NUMBER 4776-009A



FLAT STAIR NOSINGS - LUMINOUS AND NON-SLIP

F8-E40 SERIES LUMINOUS FLAT STAIR NOSINGS