



VISIBLY BETTER

ECOGLO INC.
241 MAIN STREET, SUITE 100
BUFFALO, NY 14203
TOLL FREE: 1-888-679-4022
www.ecoglo.us

SELECT DESIRED LENGTH:

- 8' (STANDARD)
- 10' (STANDARD)

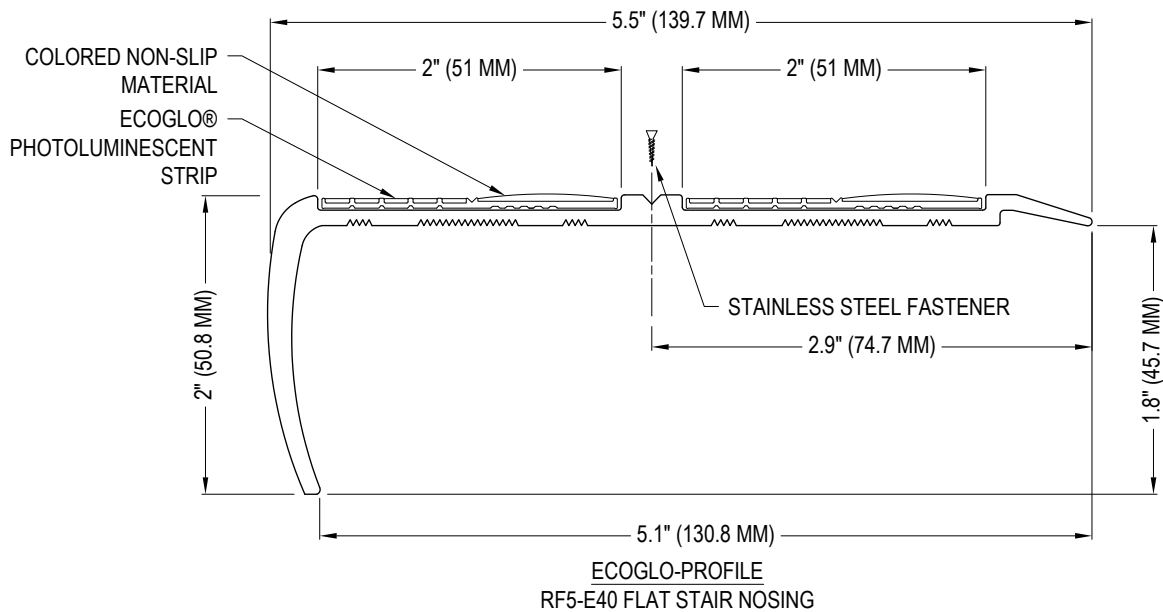
SELECT DESIRED COLOR (NON-SLIP MATERIAL):

- BLACK (RFA5171)
- GREY (RFA5161)
- YELLOW (RFA5151)
- BLACK (RFA5173)*

*STANDARD PERFORMANCE PRODUCT

SELECT DESIRED ALUMINUM FINISH (STAIR NOSING):

- CLEAR ANODIZED (STANDARD)
- BLACK ANODIZED
- LIGHT BRONZE ANODIZED
- DARK BRONZE ANODIZED



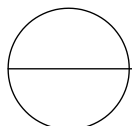
SPECIFICATIONS:

WEIGHT: 1.106 LBS/FT

- INSTALL ECOGLO® STAIR STRIPS USING POLYURETHANE ADHESIVE AND MECHANICAL FASTENERS, OR WITH ADHESIVE ONLY.
- SUPPLIED WITH PRE-DRILLED COUNTERSUNK HOLES. INCLUDES STAINLESS STEEL FASTENERS AND CONCRETE NYLON ANCHORS. STANDARD LOCATION FOR THE HOLES IS 2" FROM EACH END AND APPROXIMATELY 12" APART.
- INSERTS ARE SUPPLIED UNATTACHED. INSERTS ARE INSTALLED OVER THE MECHANICAL FASTENERS USING A POLYURETHANE ADHESIVE (INCLUDED).
- AVAILABLE IN CUT TO LENGTH SIZES (TOLERANCE ± 1/8").

NOTES:

1. INSTALLATION TO BE COMPLETED IN ACCORDANCE WITH MANUFACTURER'S SPECIFICATIONS.
2. DO NOT SCALE DRAWING.
3. THIS DRAWING IS INTENDED FOR USE BY ARCHITECTS, ENGINEERS, CONTRACTORS, CONSULTANTS AND DESIGN PROFESSIONALS FOR PLANNING PURPOSES ONLY. THIS DRAWING MAY NOT BE USED FOR CONSTRUCTION.
4. ALL INFORMATION CONTAINED HEREIN WAS CURRENT AT THE TIME OF DEVELOPMENT BUT MUST BE REVIEWED AND APPROVED BY THE PRODUCT MANUFACTURER TO BE CONSIDERED ACCURATE.
5. CONTRACTOR'S NOTE: FOR PRODUCT AND COMPANY INFORMATION VISIT www.CADdetails.com/info AND ENTER REFERENCE NUMBER 4776-010A



FLAT STAIR NOSINGS - LUMINOUS AND NON-SLIP

RF5-E40 SERIES LUMINOUS FLAT STAIR NOSINGS