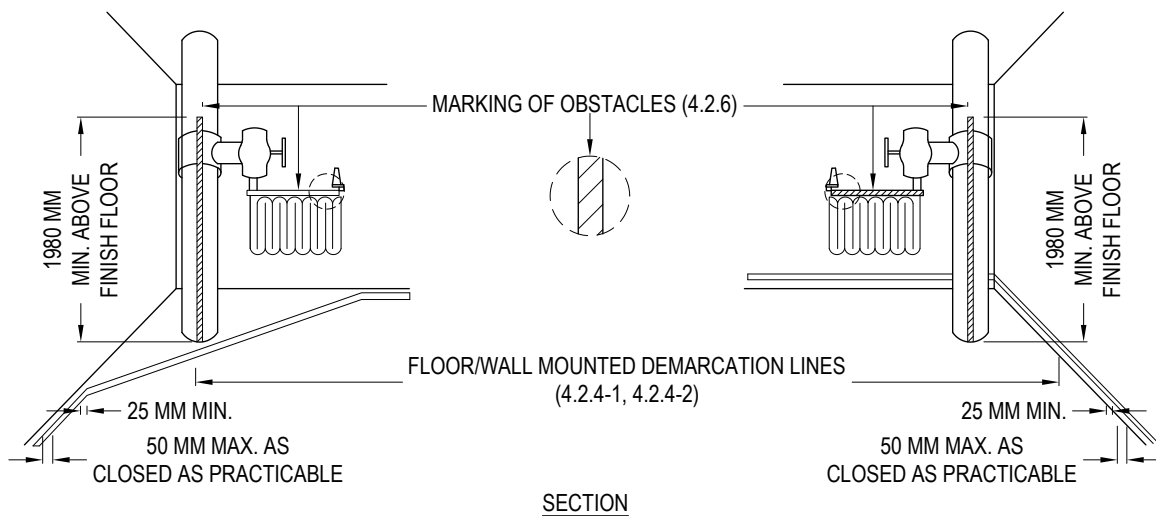


SELECT DESIRED MODEL:

- G250R-OB-OC (CURVED) [SHOWN]  
 G250R-OB (FLAT)

SELECT DESIRED ALUMINUM FINISH:

- 6063-T5 ALUMINUM (STANDARD)  BLACK ANODIZED (STANDARD)  
 MILL (STANDARD)  LIGHT BRONZE ANODIZED  
 CLEAR ANODIZED (STANDARD)  DARK BRONZE ANODIZED



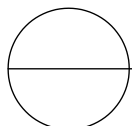
**SPECIFICATIONS:**

**WEIGHT:** 0.0975 LBS/PIECE

- THE FLAT G250R-OB HAS A 3M FOAM TAPE FOR AN EASY INSTALLATION ON FLAT SURFACES.
- THE CURVED G250R-OB-C IS INSTALLED USING A PREMIUM POLYURETHANE ADHESIVE (SOLD SEPARATELY).
- THE RIGID ALUMINUM BASE SPREADS ANY APPLIED LOAD OVER A GREATER AREA OF INSTALLATION ADHESIVE. INSTALLATION WITH A PREMIUM POLYURETHANE ADHESIVE/SEALANT IS EXTREMELY DURABLE, MOISTURE RESISTANT, AND WORKS VERY WELL ON BOTH SMOOTH AND TEXTURED SURFACES.

**NOTES:**

1. INSTALLATION TO BE COMPLETED IN ACCORDANCE WITH MANUFACTURER'S SPECIFICATIONS.
2. DO NOT SCALE DRAWING.
3. THIS DRAWING IS INTENDED FOR USE BY ARCHITECTS, ENGINEERS, CONTRACTORS, CONSULTANTS AND DESIGN PROFESSIONALS FOR PLANNING PURPOSES ONLY. THIS DRAWING MAY NOT BE USED FOR CONSTRUCTION.
4. ALL INFORMATION CONTAINED HEREIN WAS CURRENT AT THE TIME OF DEVELOPMENT BUT MUST BE REVIEWED AND APPROVED BY THE PRODUCT MANUFACTURER TO BE CONSIDERED ACCURATE.
5. CONTRACTOR'S NOTE: FOR PRODUCT AND COMPANY INFORMATION VISIT [www.CADdetails.com/info](http://www.CADdetails.com/info) AND ENTER REFERENCE NUMBER 4776-073.



**LUMINOUS OBSTRUCTION STRIPS**

G250R-OB(-C) LUMINOUS OBSTRUCTION STRIPS