



VISIBLY BETTER

ECOGLO INC.  
241 MAIN STREET, SUITE 100  
BUFFALO, NY 14203  
TOLL FREE: 1-888-679-4022  
www.ecoglo.us

SELECT DESIRED LENGTH:

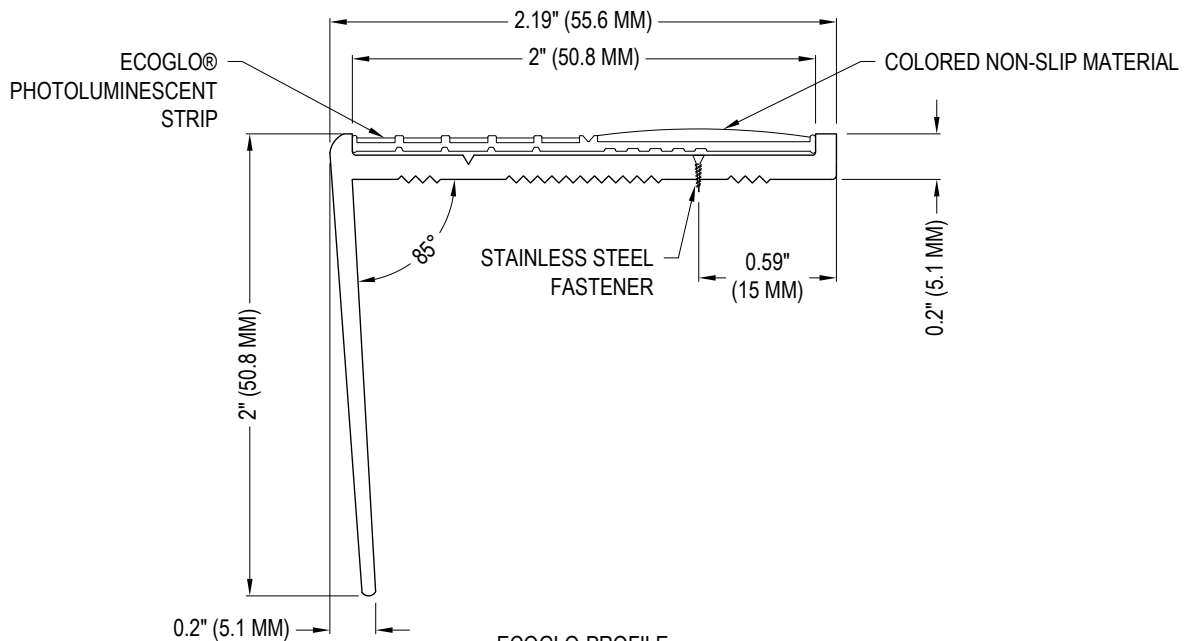
- 8' (STANDARD)
- 10' (STANDARD)

SELECT DESIRED COLOR (NON-SLIP MATERIAL):

- BLACK (RFA7C171)
- GREY (RFA7C161)
- YELLOW (RFA7C151)

SELECT DESIRED ALUMINUM FINISH (STAIR NOSING):

- CLEAR ANODIZED (STANDARD)
- BLACK ANODIZED
- LIGHT BRONZE ANODIZED
- DARK BRONZE ANODIZED



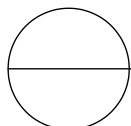
**SPECIFICATIONS:**

**WEIGHT:** 0.586 LBS/FT

- INSTALL FLUSH WITH RESILIENT FLOORING USING ADHESIVE AND MECHANICAL FASTENERS.
- COUNTERSUNK PRE-DRILLED HOLES. INCLUDES STAINLESS STEEL FASTENERS AND CONCRETE NYLON ANCHORS. STANDARD LOCATION IS 2" FROM EACH END AND APPROX. 12" APART.
- INSERTS ARE SUPPLIED UNATTACHED. INSERTS ARE INSTALLED OVER THE MECHANICAL FASTENERS USING A POLYURETHANE ADHESIVE (INCLUDED). INSERTS CAN BE CUT USING A SHEAR. ALUMINUM NOSINGS ARE CUT WITH A SAW. CUTTING INSERTS WITH SAW WILL DAMAGE THE SAW BLADE.
- AVAILABLE IN CUT TO LENGTH SIZES (TOLERANCE  $\pm 1/8"$ )

**NOTES:**

1. INSTALLATION TO BE COMPLETED IN ACCORDANCE WITH MANUFACTURER'S SPECIFICATIONS.
2. DO NOT SCALE DRAWING.
3. THIS DRAWING IS INTENDED FOR USE BY ARCHITECTS, ENGINEERS, CONTRACTORS, CONSULTANTS AND DESIGN PROFESSIONALS FOR PLANNING PURPOSES ONLY. THIS DRAWING MAY NOT BE USED FOR CONSTRUCTION.
4. ALL INFORMATION CONTAINED HEREIN WAS CURRENT AT THE TIME OF DEVELOPMENT BUT MUST BE REVIEWED AND APPROVED BY THE PRODUCT MANUFACTURER TO BE CONSIDERED ACCURATE.
5. CONTRACTOR'S NOTE: FOR PRODUCT AND COMPANY INFORMATION VISIT [www.CADdetails.com/info](http://www.CADdetails.com/info) AND ENTER REFERENCE NUMBER 4776-070.



**RESILIENT FLOORING NOSINGS - LUMINOUS AND NON-SLIP**

RF7C-E40 SERIES LUMINOUS RESILIENT FLOORING NOSINGS