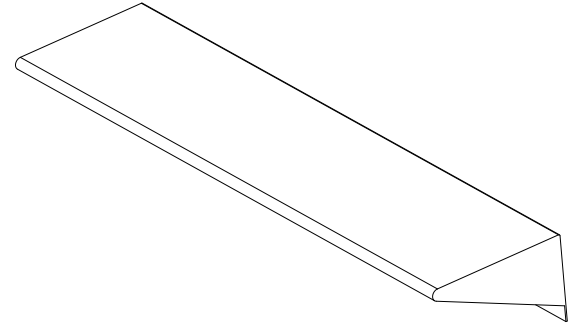
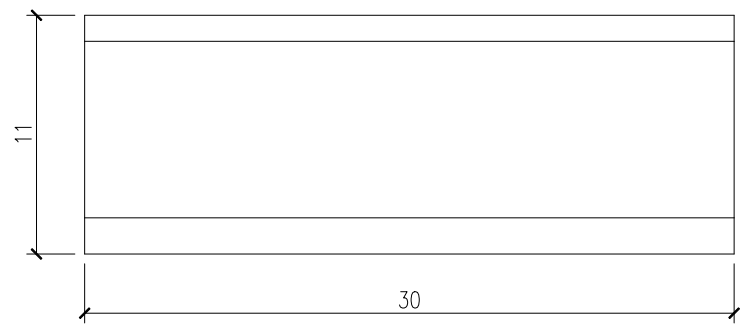


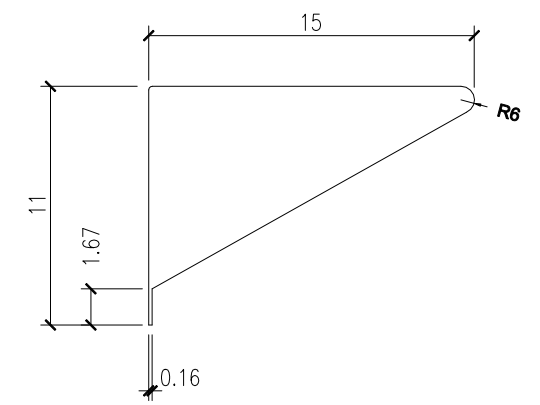
PLAN VIEW



ISOMETRIC VIEW



FRONT VIEW



SIDE VIEW