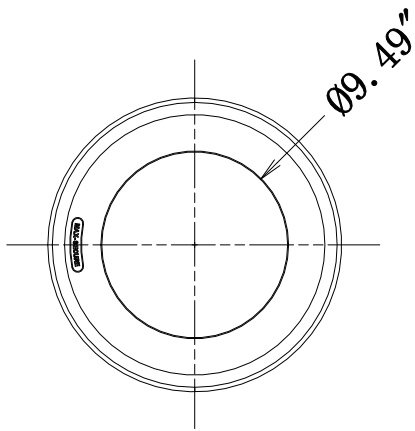
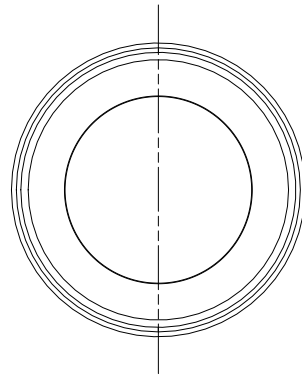


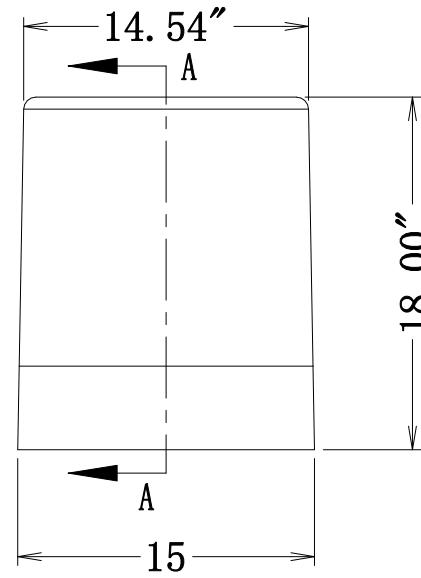
ISOMETRIC VIEW



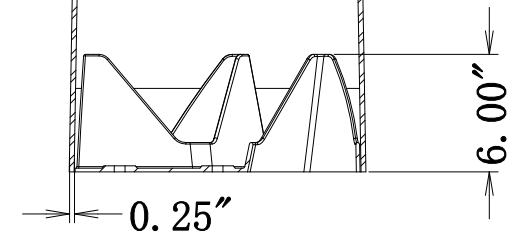
TOP VIEW



BOTTOM VIEW



FRONT VIEW



SECTION A-A