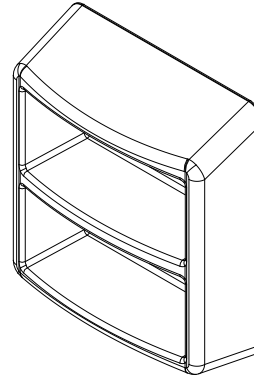
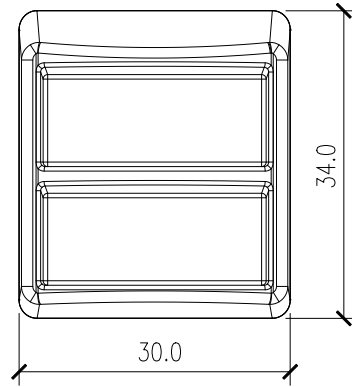




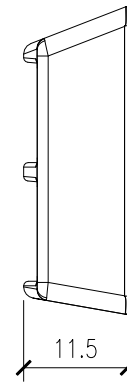
TOP VIEW



ISOMETRIC VIEW



FRONT VIEW



SIDE VIEW