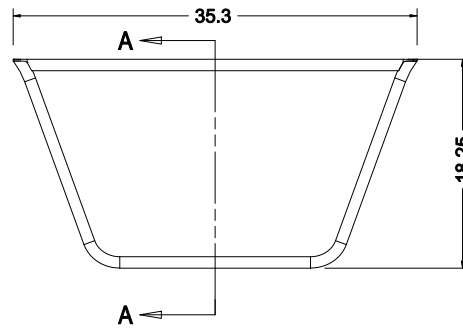
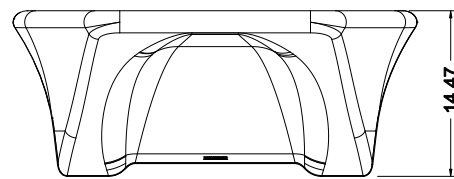


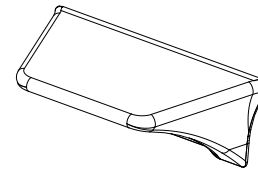
SECTION A-A



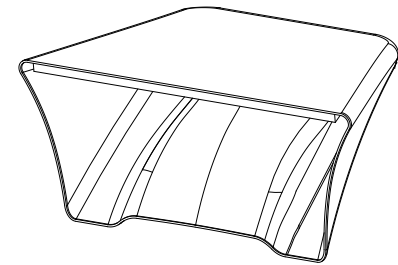
TOP VIEW



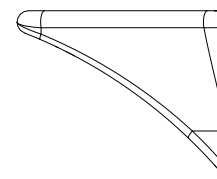
FRONT VIEW



ISOMETRIC VIEW



ISOMETRIC VIEW



SIDE VIEW