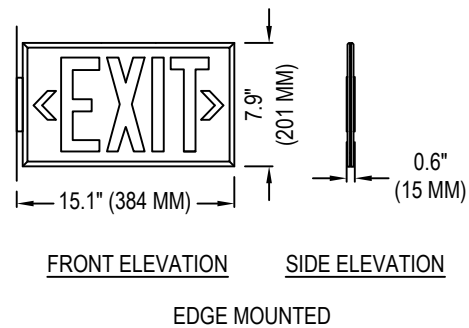
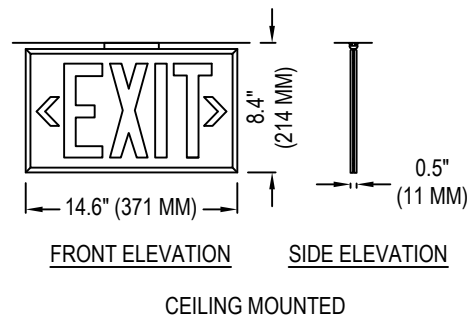
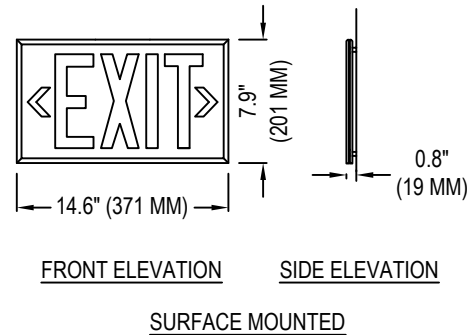


SELECT DESIRED ACCESSORIES:

- RETROFIT CANOPY ADAPTER
 SLOPED CEILING ADAPTER

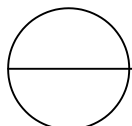


BENEFITS

- LEEDS POINT QUALIFIED FOR ENERGY CONSERVATION AND SUSTAINABILITY
- ETL LISTED FOR EMERGENCY LIGHTING AND POWER EQUIPMENT ACCORDING TO UL STD 924 AND THE CANADIAN STANDARD FOR PHOTOLUMINESCENT AND SELF-LUMINOUS EXIT SIGNS ULC/ORD-C924-02
- VISIBLE FOR 75 FEET
- NO ELECTRICITY OR BATTERIES REQUIRED
- REQUIRES EXPOSURE TO AT LEAST 54 LUX (5 FT-CANDLES) OF FLUORESCENT, METAL HALIDE OR MERCURY VAPOR LIGHT ILLUMINATION FOR A MINIMUM OF 60 MINUTES TO BECOME FULLY OPERATIONAL.
- DIRECTIONAL ARROW LABELS PROVIDED WITH EACH SIGN FOR ON-SITE APPLICATION
- INSTALLS INDOORS ONLY
- LIFE TIME WARRANTY
- PRODUCT USES RECYCLED ALUMINUM AND IS RECYCLABLE
- SAFE TO USE SINCE IT IS NOT TOXIC AND NOT RADIOACTIVE

NOTES:

1. INSTALLATION TO BE COMPLETED IN ACCORDANCE WITH MANUFACTURER'S SPECIFICATIONS.
2. DO NOT SCALE DRAWING.
3. THIS DRAWING IS INTENDED FOR USE BY ARCHITECTS, ENGINEERS, CONTRACTORS, CONSULTANTS AND DESIGN PROFESSIONALS FOR PLANNING PURPOSES ONLY. THIS DRAWING MAY NOT BE USED FOR CONSTRUCTION.
4. ALL INFORMATION CONTAINED HEREIN WAS CURRENT AT THE TIME OF DEVELOPMENT BUT MUST BE REVIEWED AND APPROVED BY THE PRODUCT MANUFACTURER TO BE CONSIDERED ACCURATE.
5. CONTRACTOR'S NOTE: FOR PRODUCT AND COMPANY INFORMATION VISIT www.CADdetails.com/info AND ENTER REFERENCE NUMBER 4776-035.



UL 924 LUMINOUS EXIT SIGNS

EX STANDARD SERIES LUMINOUS EXIT SIGNS: 50 FT. RATED VISIBILITY