

Acoustical Surfaces, Inc.

123 Columbia Court North,
Suite 201
Chaska, MN 55318
Tel: (952)-448-5300
Fax: (952)-448-2613
1-(800)-854-2948

www.acousticalsurfaces.com
sales@acousticalsurfaces.com

File No.

Poly Max-Wall Panels.DWG

Issue Date

5/2/2012

Revised

Drawn By

MTH

Checked By

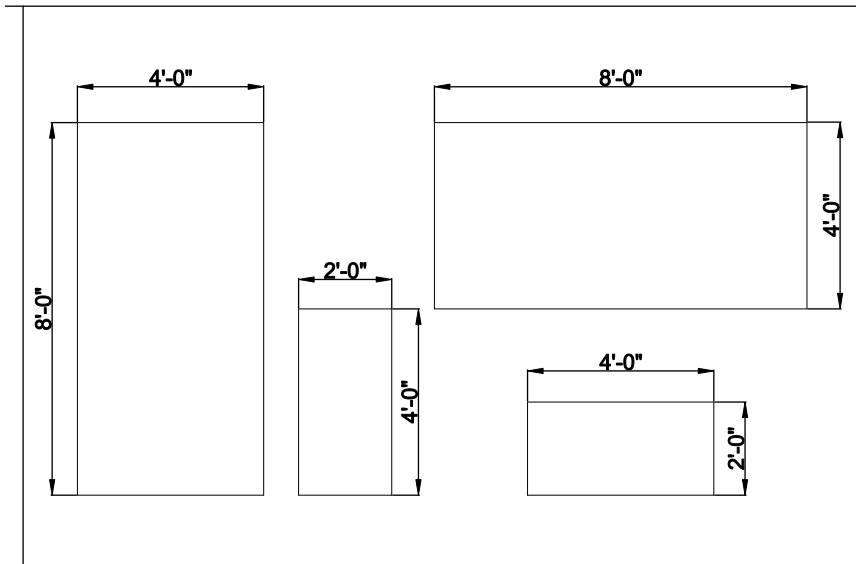
PROJECT

DRAWING TITLE

**POLY MAX WALL/
CEILING PANELS**

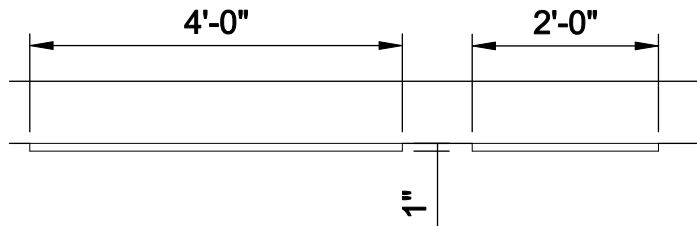
DRAWING NO.

AS7.0

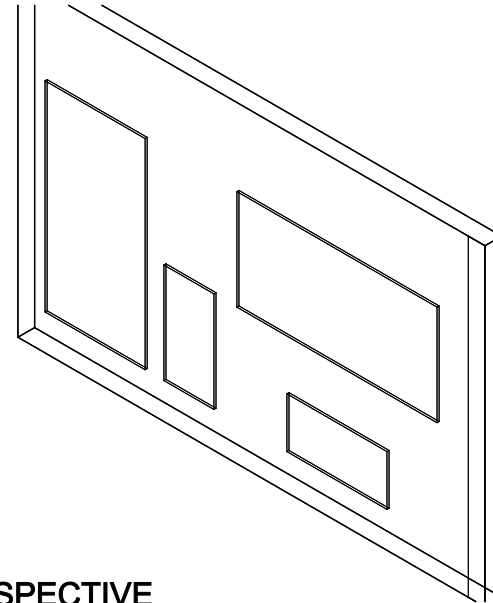


1 FRONT ELEVATION
1/4"=1'-0"

NOTE: 2'x4' PANEL SIZES AVAILABLE FOR USE IN CEILING GRID AS WELL



2 SIDE ELEVATION
1/2"=1'-0"



3 PERSPECTIVE
N.T.S.