

Acoustical Surfaces, Inc.

123 Columbia Court North,
Suite 201
Chaska, MN 55318
Tel: (952)-448-5300
Fax: (952)-448-2613
1-(800)-854-2948

www.acousticalsurfaces.com
sales@acousticalsurfaces.com

File No.

CFAB-Wall Panels.DWG

Issue Date

5/2/2012

Revised

Drawn By

MTH

Checked By

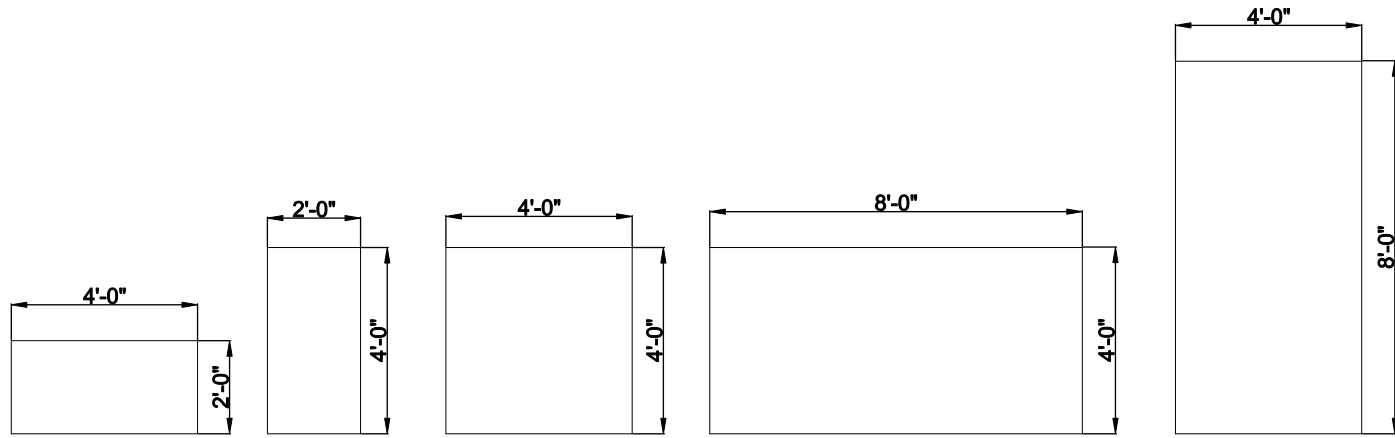
PROJECT

DRAWING TITLE

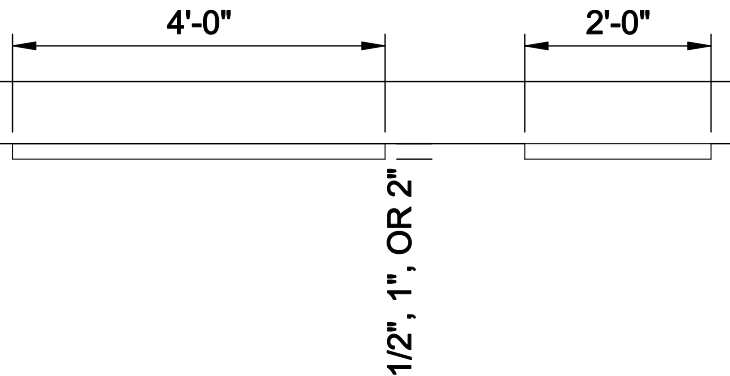
CFAB CELLULOSE
PANELS

DRAWING NO.

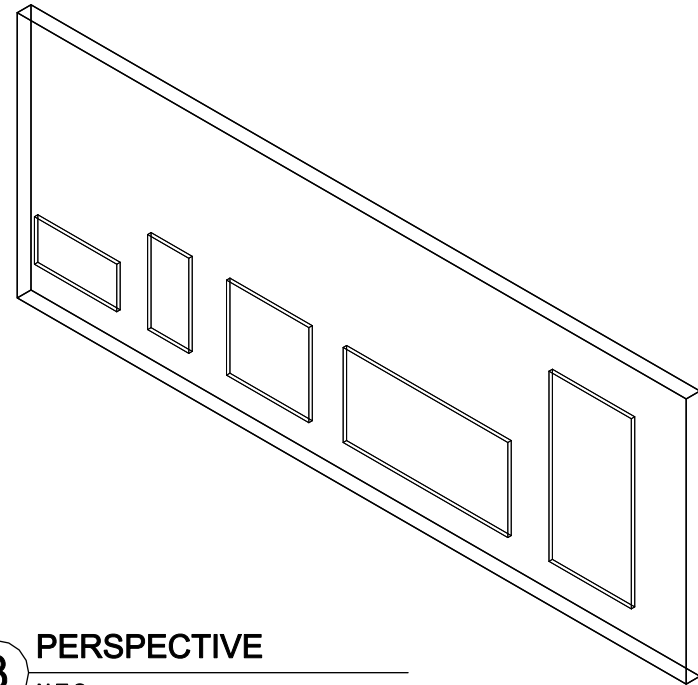
AS6.0



1 FRONT ELEVATION
1/4"=1'-0"



2 SIDE ELEVATION
1/2"=1'-0"



3 PERSPECTIVE
N.T.S.