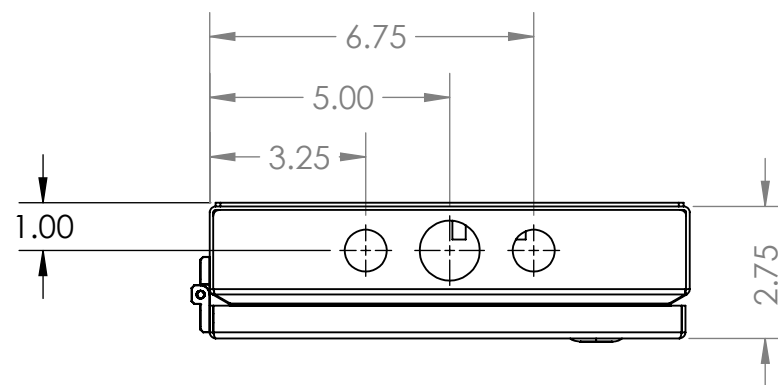


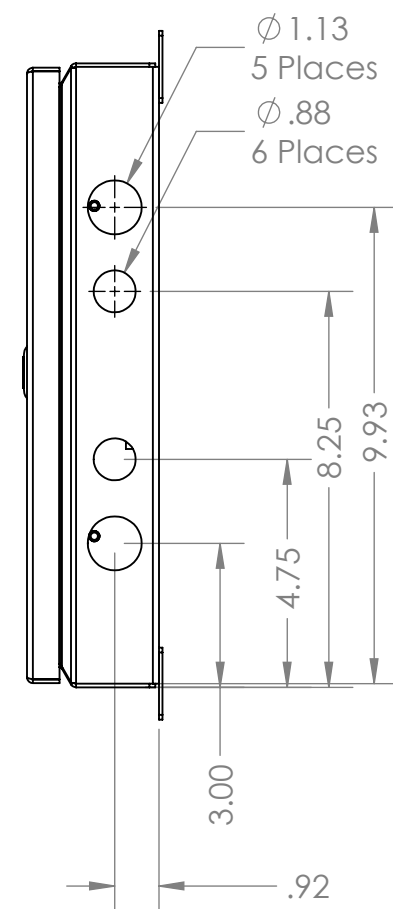
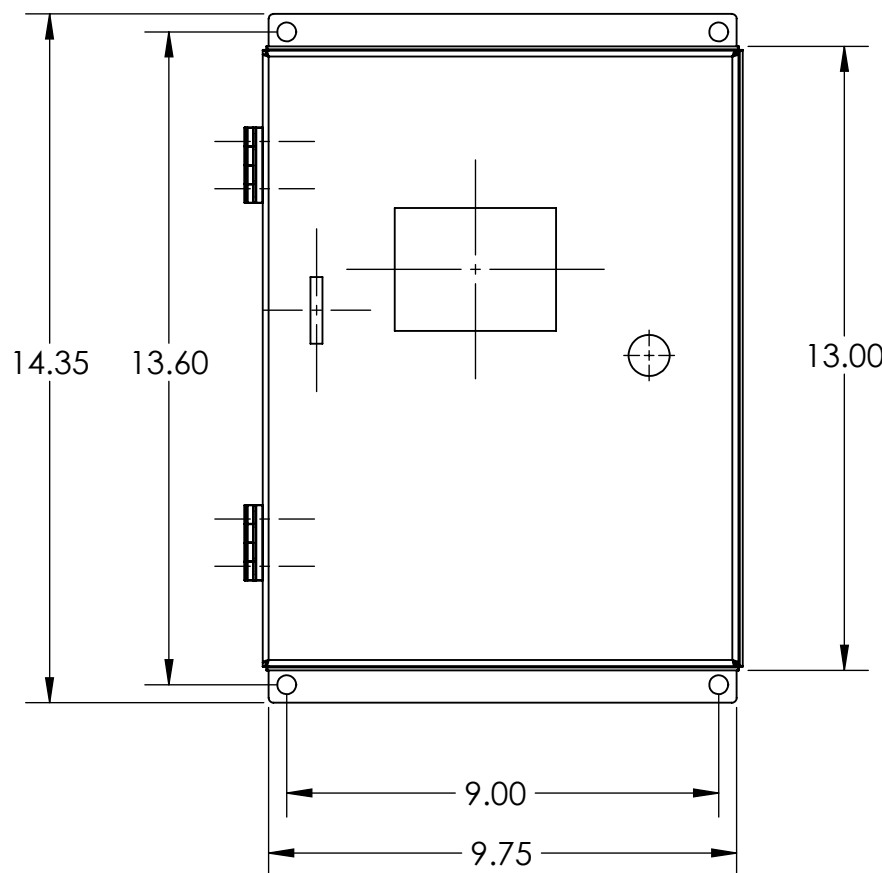
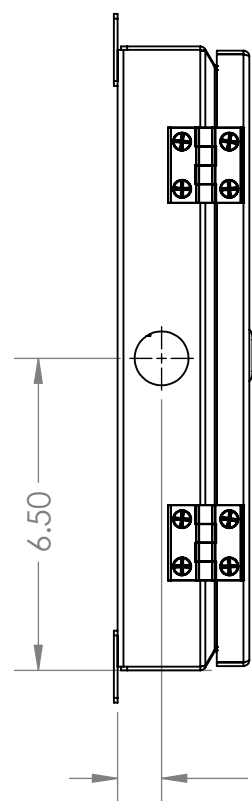
A

A



B

B



C

C

AERIONICS  
COPYRIGHT



**Aerionics Inc.**  
 3601 N St Paul Ave  
 Sioux Falls, SD  
 57104  
 Phone: 512-524-3414

**TITLE**

DVP-1200 Assembly

UNLESS OTHERWISE SPECIFIED DIMENSIONS  
ARE IN INCHES. TOLERANCES ARE:

FRACTIONS  
±1/64

DECIMALS  
 0.X ± 0.1  
 0.X X ± 0.02  
 0.XXX ± 0.010

ANGLES  
± 0.5°

B Size

SCALE: 1:4

DRAWING NUMBER:

DE227736-900-00

FILE NAME:

DE227736-900-00 ARCAT

SHEET 3 OF 3

DO NOT SCALE DRAWING

REV:

1.4

This document is the  
property of Aerionics.  
All rights reserved.

THIRD ANGLE PROJECTION

USED IN:

DVP-1200

CAD FILE:

DE227736-900-00

D

D