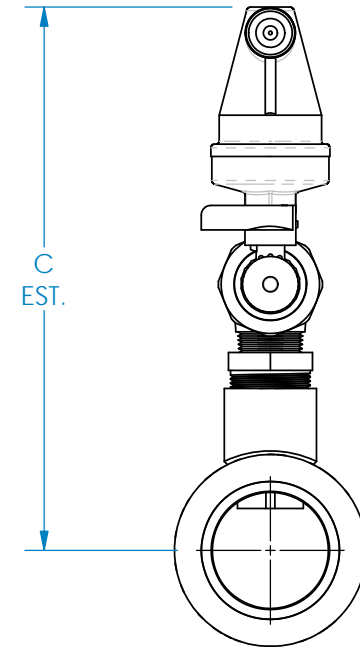
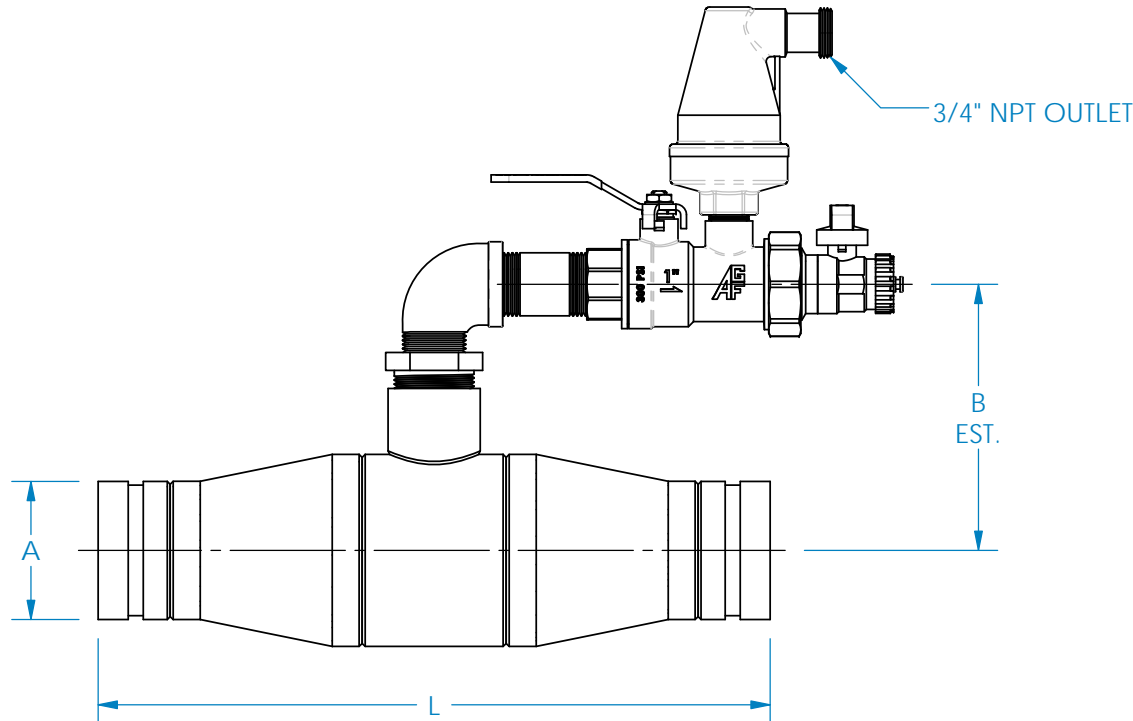


ITEM ID	SIZE (INCH)	A	B (EST.)	C (EST.)	L
7950ILV-20	2	2-3/8 [60]	5-1/4 [133]	11-1/8 [283]	14 [356]
7950ILV-25	2-1/2	2-7/8 [73]	5-1/2 [140]	11-3/8 [289]	14 [356]
7950ILV-30	3	3-1/2 [89]	5-3/4 [146]	11-5/8 [295]	14 [356]
7950ILV-40	4	4-1/2 [114]	6-1/4 [160]	12-1/8 [309]	14 [356]
7950ILV-60	6	6-5/8 [168]	7-7/8 [198]	13-3/4 [348]	18 [457]
7950ILV-80	8	8-5/8 [219]	8-7/8 [225]	14-3/4 [375]	18 [457]



AGF Manufacturing, Inc.
 100 Quaker Lane
 Malvern, PA 19355
 Ph. 610-240-4900
 Fax 610-240-4906
www.testandrain.com

DIMENSIONS ARE IN INCHES & [mm]

DRAWN	BFG	DATE	23JAN2017	SCALE	1:4
APPR'D	-	DATE	-	WEIGHT	-
MATERIAL	-				
PROJECT	REFERENCE DRAWING				

TITLE		
PURGENVENT MAIN LINE AIR VENTING VALVE		
SIZE	DWG NO.	REV
A	7950ILV	0