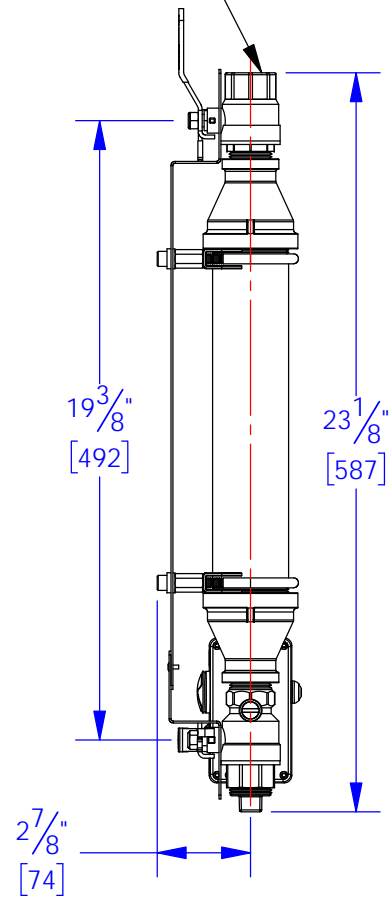


1" NPT FEMALE CONNECTION




AGF Manufacturing, Inc.
 100 Quaker Lane
 Malvern, PA 19355
 Ph. 610-240-4900
 Fax 610-240-4906
www.testandrain.com

DIMENSIONS ARE IN INCHES & [mm]			
DRAWN	BFG	DATE	25JUL2018
APPR'D		DATE	
MATERIAL		SCALE	1:6
PROJECT	REFERENCE DRAWING	WEIGHT	12.5 lbs

TITLE		M5100 COLLECT AND DRAIN SYSTEM	
SIZE	A	DWG NO.	M5100A
REV	2		