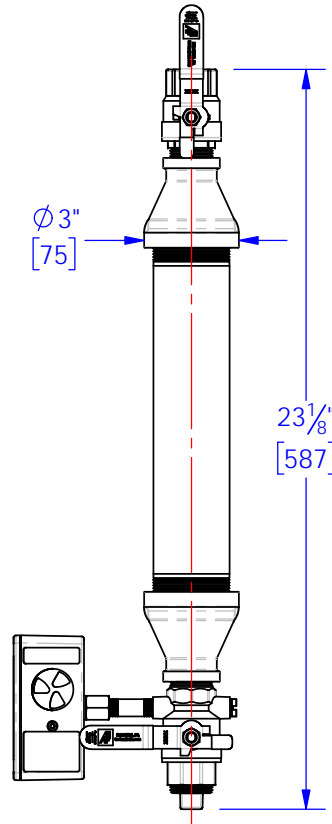
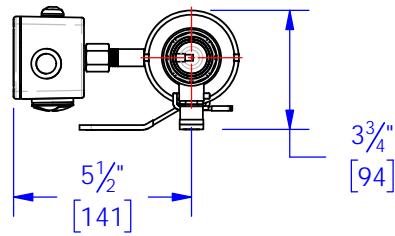
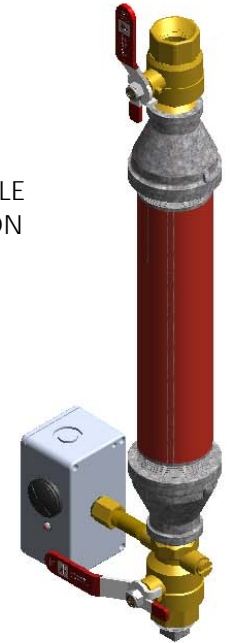
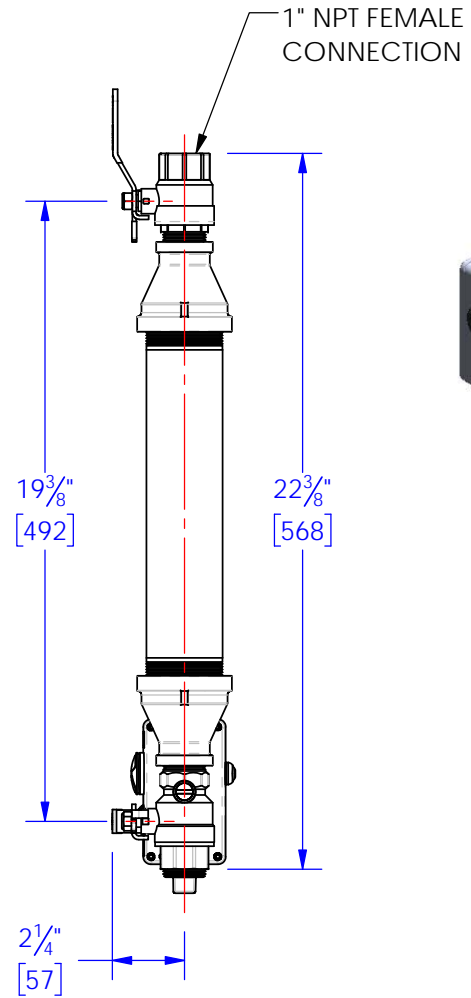


DRAINING



COLLECTING



AGF Manufacturing, Inc.
 100 Quaker Lane
 Malvern, PA 19355
 Ph. 610-240-4900
 Fax 610-240-4906
www.testandrain.com

DIMENSIONS ARE IN INCHES & [mm]

DRAWN	BFG	DATE	26JUL2018	SCALE	1:6
APPR'D		DATE		WEIGHT	9.9 lbs.
MATERIAL	_				
PROJECT	REFERENCE DRAWING				

TITLE

COLLECTANDRAIN, M5300ALBV

SIZE
A

DWG NO.
5300ALBV

REV
0