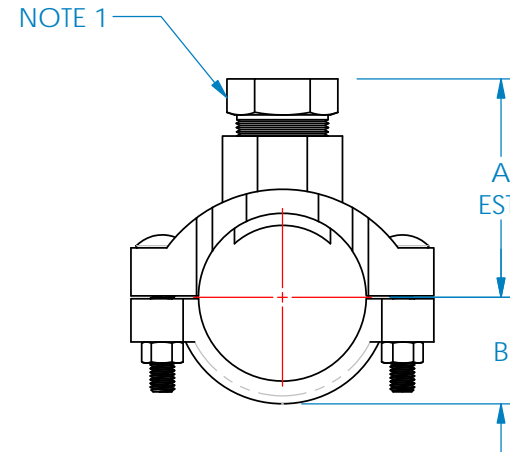
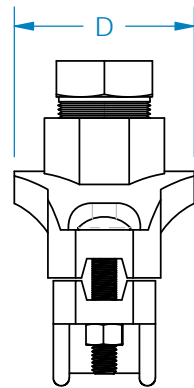


ITEM ID	SIZE (INCH)	A (EST.)	B	C	D
7820MTX*	2	3-15/16 [100]	1-11/16 [43]	5-5/16 [135]	3-1/4 [82]
7825MTX*	2-1/2	4-3/16 [106]	1-7/8 [47]	5-7/8 [150]	3-5/8 [91]
7830MTX*	3	4-5/8 [117]	2-1/4 [56]	6-3/16 [160]	3-3/4 [95]
7840MTX*	4	5-5/16 [134]	2-5/8 [67]	7-3/8 [187]	3-13/16 [96]
7860MTX*	6	6-7/16 [163]	3-3/4 [95]	9-3/4 [247]	3-13/16 [96]
7880MTX*	8	8-3/16 [208]	4-7/8 [124]	12-5/8 [320]	4-1/8 [105]

*X = P OR G (PAINTED OR GALVANIZED)



NOTES:
1. FIELD INSTALL PLUG TO DESIRED ORIENTATION.



AGF Manufacturing, Inc.
100 Quaker Lane
Malvern, PA 19355
Ph. 610-240-4900
Fax 610-240-4906
www.testandrain.com

DIMENSIONS ARE IN INCHES & [mm]

DRAWN	BFG	DATE	23OCT2015	SCALE	1:4
APPR'D	-	DATE	-	WEIGHT	-
MATERIAL	VARIES				
PROJECT	REFERENCE DRAWING				

TITLE		
CORRINSITE MECHANICAL TEE		
SIZE	DWG NO.	REV
A	M7800	0