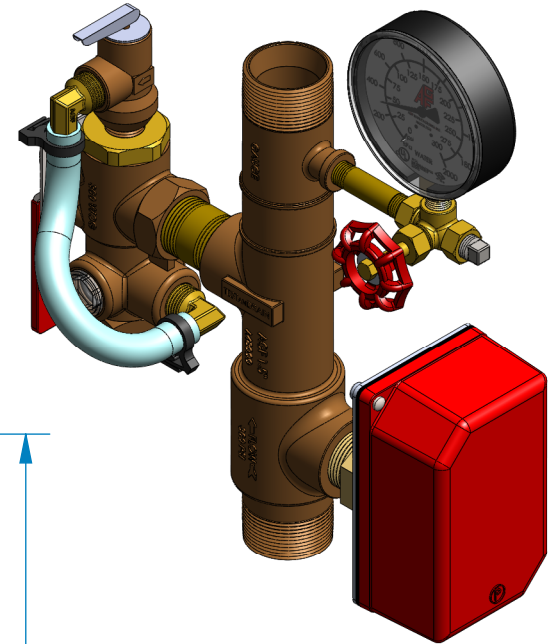
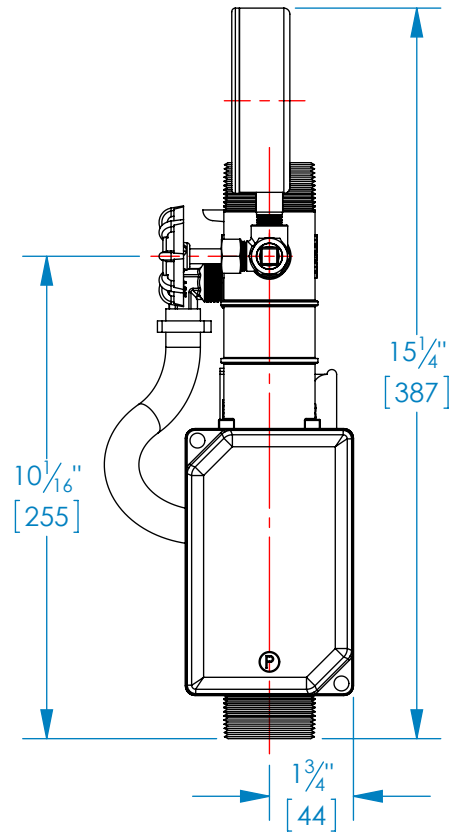
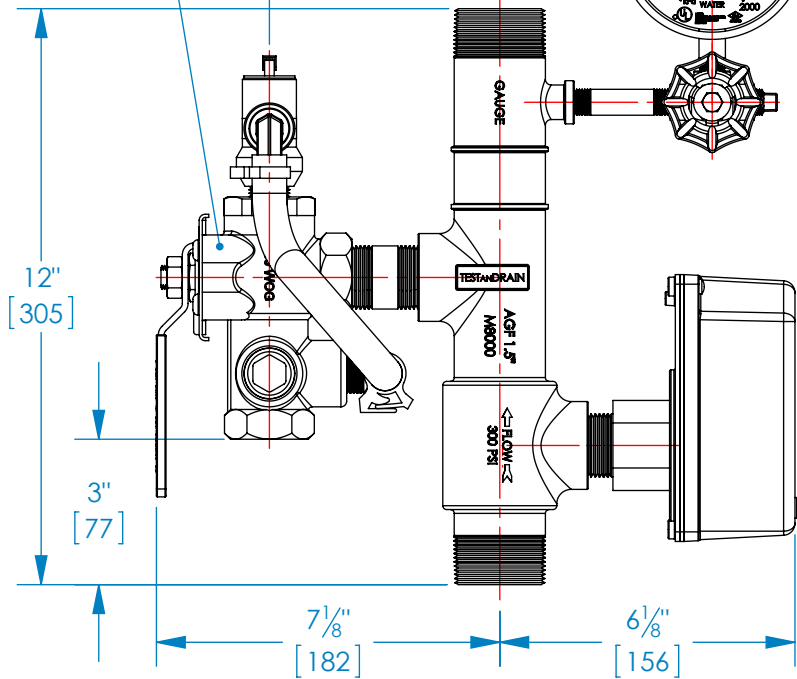


1" M2511A



Item #	Orifice
8420A	3/8"
8421A	7/16"
8422A	1/2"
8423A	17/32"
8424A	5/8" ELO



AGF Manufacturing, Inc.
 100 Quaker Lane
 Malvern, PA 19355
 Ph. 610-240-4900
 Fax 610-240-4906
 www.testandrain.com

DIMENSIONS ARE IN INCHES & [mm]

DRAWN	RR	DATE	Mar 7, 2013	SCALE	1:4
APPR'D	-	DATE	-	WEIGHT	13.1 lbs
MATERIAL	-				
PROJECT	REFERENCE DRAWING				

TITLE
 1-1/2" Threaded Model 8011
 Commercial RiserPACK

SIZE	DWG NO.	REV
A	M8011C-150T	0