

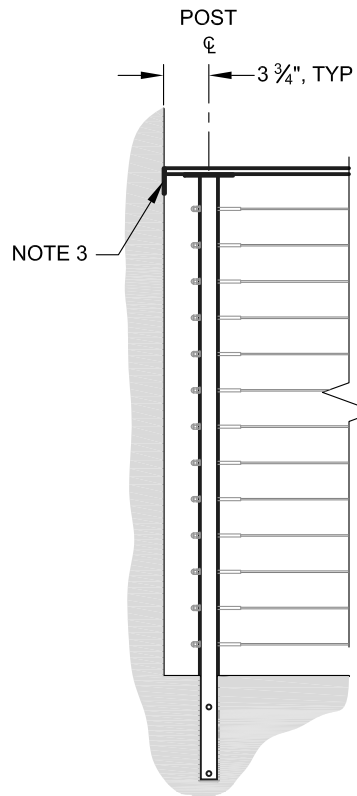
**1** EXAMPLE POST LAYOUT PLAN VIEW  
SCALE: NONE

**LEGEND**

- DETAIL NUMBER
- SHEET NUMBER
- ELEVATION NUMBER
- SHEET NUMBER
- SECTION NUMBER
- SHEET NUMBER
- SIDE MOUNT POST
- CENTERLINE
- FINISHED FLOOR
- TYPICAL CONDITION; APPLIES ELSEWHERE AT SIMILAR LOCATIONS

**NOTES:**

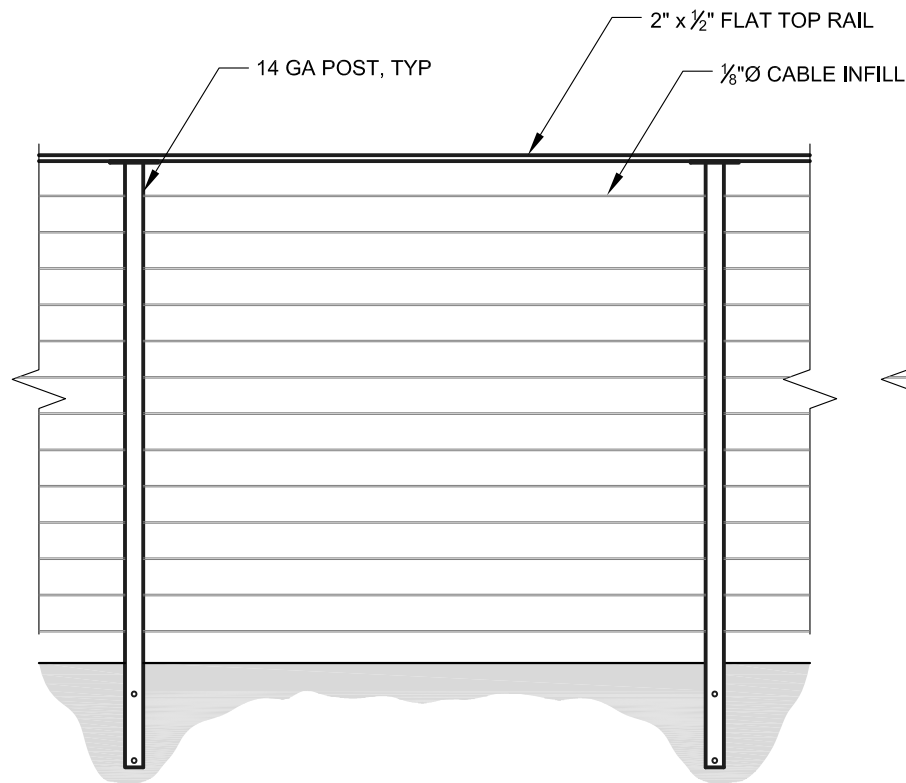
1. TOP RAIL NOT SHOWN FOR CLARITY.



NOTE 3

**1** END POST - WALL CONNECTION ELEVATION

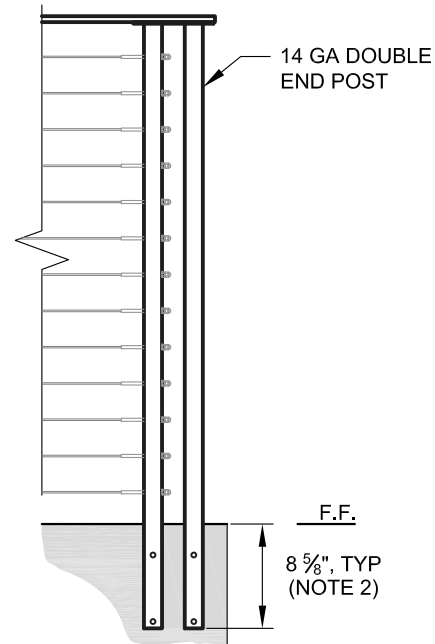
SCALE: NONE



**2**

TYPICAL INTERMEDIATE POST ELEVATION

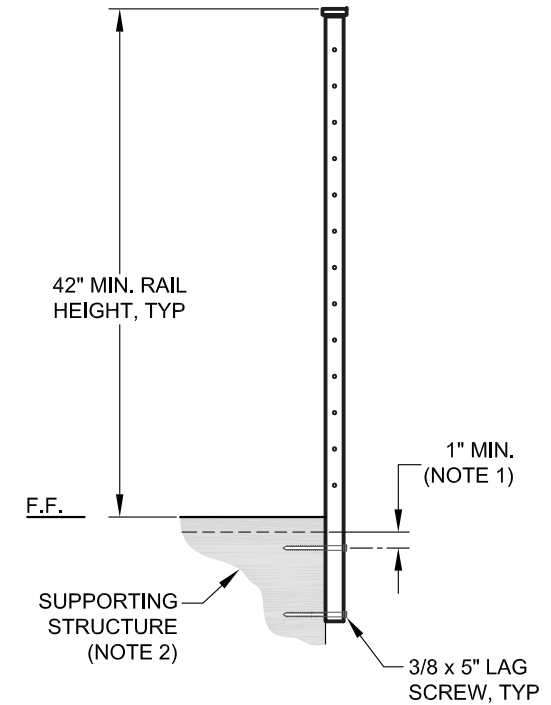
SCALE: NONE



**3**

END POST - FREE STANDING ELEVATION

SCALE: NONE



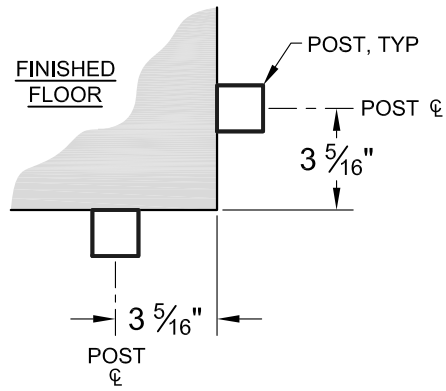
**4**

RAILING SECTION

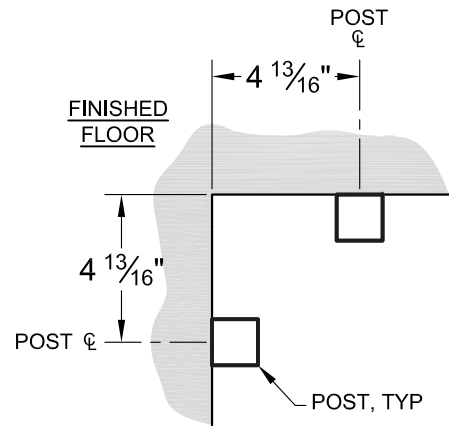
SCALE: NONE

**NOTES:**

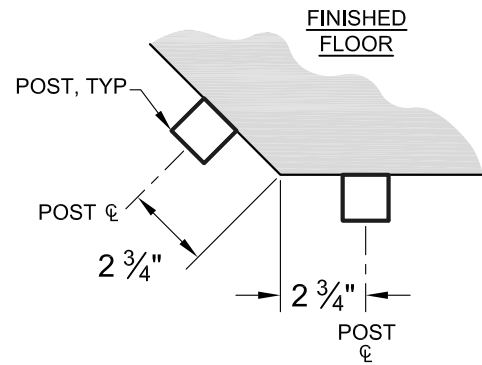
1. 1" MINIMUM EDGE DISTANCE MEASURED FROM THE TOP OF THE MAIN SUPPORTING MEMBER (BEAM, JOIST, FASCIA, ETC.) TO THE CENTER OF THE FASTENER.
2. DECK EDGE DETAILS CAN VARY GREATLY. IT IS THE RESPONSIBILITY OF THE CUSTOMER TO VERIFY THAT THE SUPPORTING STRUCTURE IS ADEQUATE TO MEET THE LOAD REQUIREMENTS OF THE GOVERNING BUILDING CODE(S). *AGS Stainless Inc.* RECOMMENDS CONSULTING A DESIGN OR CONSTRUCTION PROFESSIONAL TO ADDRESS THESE ISSUES.
3. POSITIVE CONNECTION TO ADJACENT STRUCTURE IS REQUIRED.



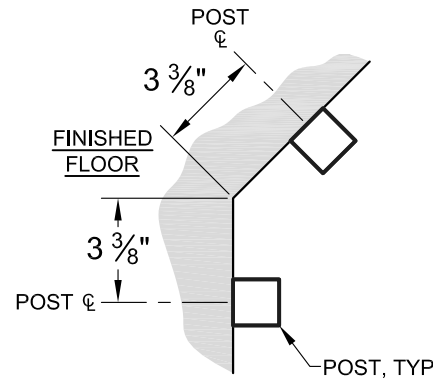
**A** OUTSIDE CORNER POST LAYOUT - 90°  
SCALE: NONE



**B** INSIDE CORNER POST LAYOUT - 90°  
SCALE: NONE



**C** OUTSIDE CORNER POST LAYOUT - 45°  
SCALE: NONE

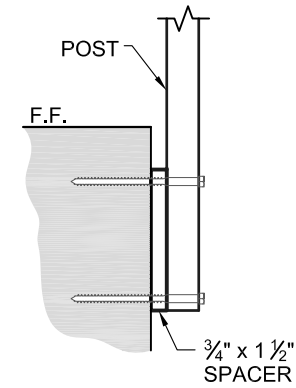


**D** INSIDE CORNER POST LAYOUT - 45°  
SCALE: NONE

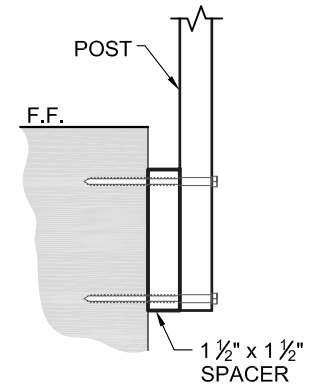
**1** TYPICAL CORNER LAYOUT  
SCALE: NONE

**NOTE:**

THE LAYOUTS SHOWN MAY VARY AS THE ANGLE CHANGES. MAKE SURE YOU CHOOSE A POST LAYOUT SO THAT TWO CLOSEST POINTS OF THE ADJACENT POSTS IS LESS THAN 4".



**A** 3/4" x 1 1/2" SPACER  
SCALE: NONE



**B** 1 1/2" x 1 1/2" SPACER  
SCALE: NONE

**2** OPTIONAL SPACER DETAIL  
SCALE: NONE