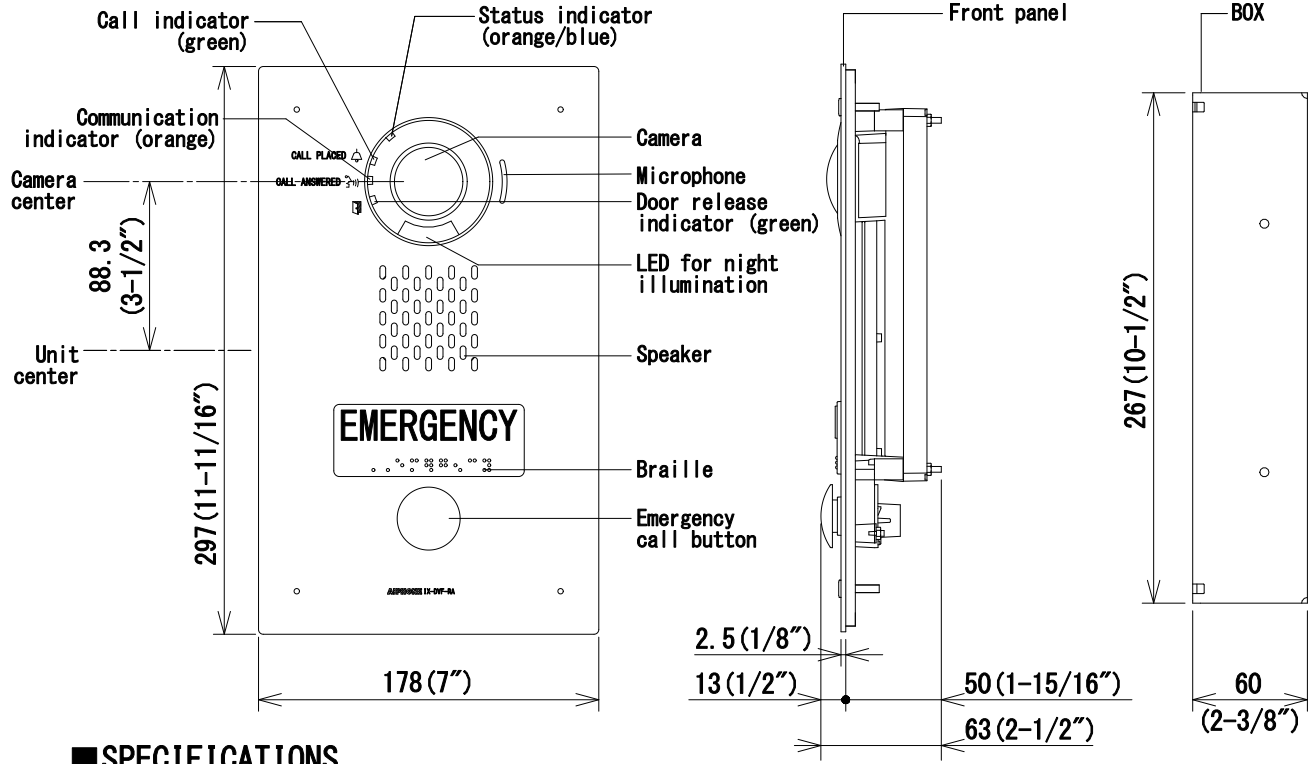


Approval

Confirmation

Making

**PRODUCT DRAWING**



**SPECIFICATIONS**

Power source	Power-over-Ethernet (IEEE 802.3af/at Class 0) / 24V DC External power supply
Current consumption	Power-over-Ethernet Standby: 55mA/Standby with continuous recording: 77mA Maximum: 155mA 24V DC External power supply Standby: 94mA/Standby with continuous recording: 140mA Maximum: 300mA
Type of communication	Hands-free: automatic voice switching
Camera	1/3-type color CMOS SXVGA 1280 x 960 (approx. 1.2 million pixels)
Minimum illumination	5 lux
LAN	Ethernet (10BASE-T, 100BASE-TX), Auto MDI/MDI-X-compatible
Audio codec	G.711 (μ-law, A-law), G.722
Video codec	H.264/AVC, Motion JPEG
Protocol	IPv4, IPv6, TCP, UDP, SIP, HTTP, HTTPS, RTSP, RTP, RTCP, IGMP, MLD, SMTP, SFTP, DHCP, NTP, DNS
Encryption method	TLS1.0, TLS1.1, TLS1.2
Packet delivery	Unicast, Multicast
Number of called stations	20 stations
Ambient temperature	-40~+60°C (-40~+140° F)
Mounting	Flush wall-mount
Material	Front panel: stainless steel, vertical alignment finished/ Main unit: self-extinguishing ABS resin/ Box: SPCC 1.2
Unit color	Front panel: silver/ Main unit: black/ Box: black (Electrodeposition Coating)
Weight	Unit: approx. 1.5kg (3.3 lbs) / Box: approx. 860g (1.9 lbs)
IP rating	IP65
IK rating	IK08
Remarks	ONVIF Profile S support

DESCRIPTION	FIG. NAME	UNIT	DATE
<b>VIDEO DOOR STATION</b>	PRODUCT DRAWING/SPECIFICATIONS	mm	
MODEL NO.	FIG. NO.	REVISION	
	PAGE	1	
	1/5		

**AIPHONE**