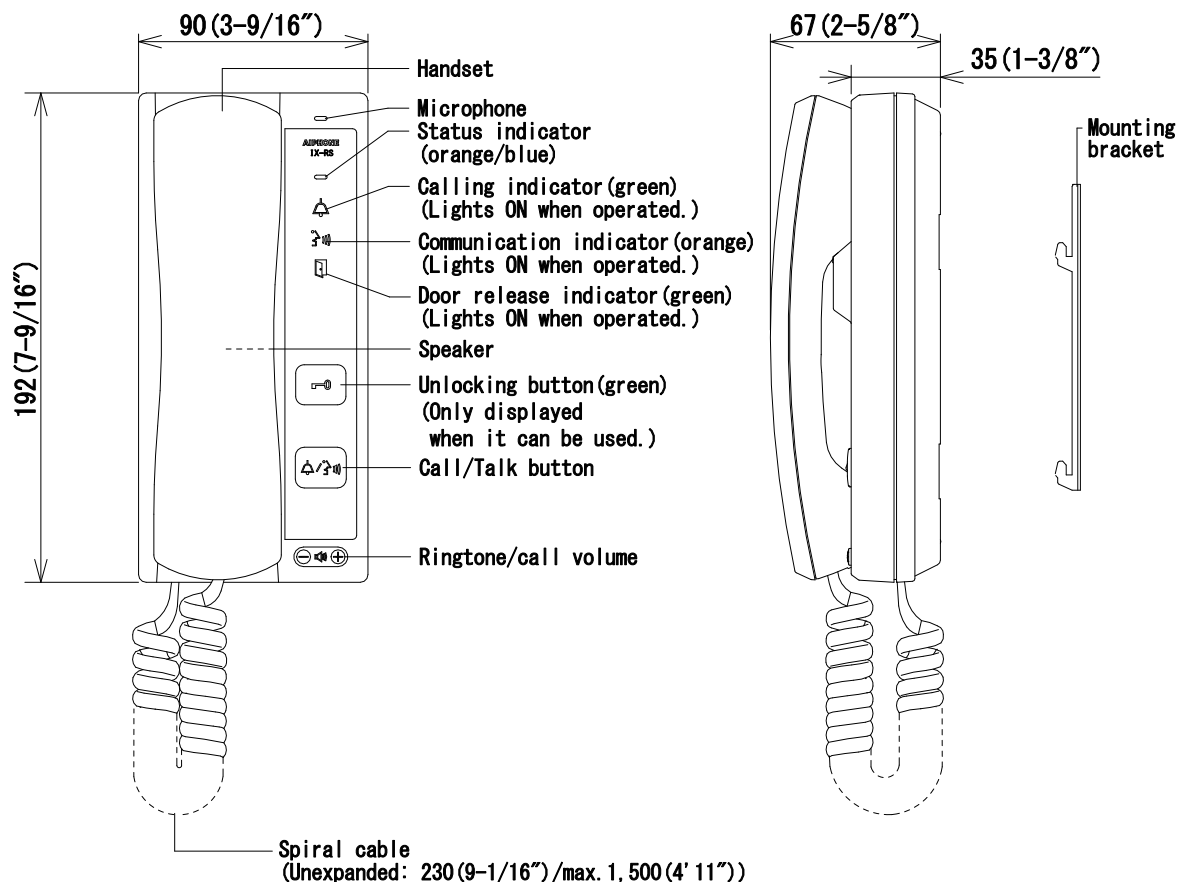


Approval

Confirmation

Making

■ PRODUCT DRAWING



■ SPECIFICATIONS

Power source	Power-over-Ethernet (IEEE 802.3af Class 0)		
Current consumption	Standby 38mA, maximum 95mA		
Type of communication	Hands-free: Automatic voice switching Handset: Full-duplex (for calls between handsets only)		
LAN	Ethernet (10BASE-T, 100BASE-TX) Auto MDI/MDI-X-compatible		
Audio codec	G. 711 (μ -law, A-law), G. 722		
Protocol	IPv4, IPv6, TCP, UDP, SIP, HTTP, HTTPS, RTSP, RTP, RTCP, IGMP, MLD, SMTP, SFTP, DHCP, NTP, DNS		
Encryption method	TLS1.0, TLS1.1, TLS1.2		
Packet delivery	Unicast		
Number of called stations	20 stations		
Ambient temperature	0~40°C (32 ~104° F)		
Mounting	Wall-mount		
Electrical box	1-gang box		
Material	Self-extinguishing ABS resin		
Unit Color	Flannel black (N2 Munsell Approximation)		
Weight	520g (approx.) (1.15 lbs)		
DESCRIPTION HANDSET SUB STATION	FIG. NAME PRODUCT DRAWING/SPECIFICATIONS	UNIT mm	DATE
MODEL NO.	FIG. NO.	PAGE 1/5	REVISION 1
			AIPHONE