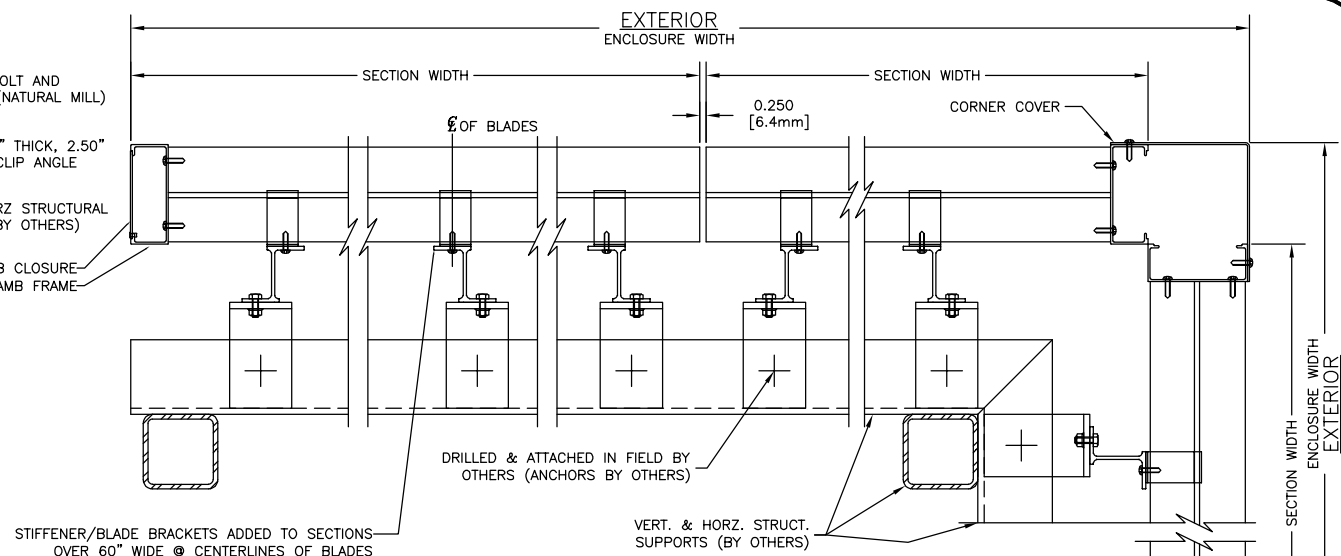
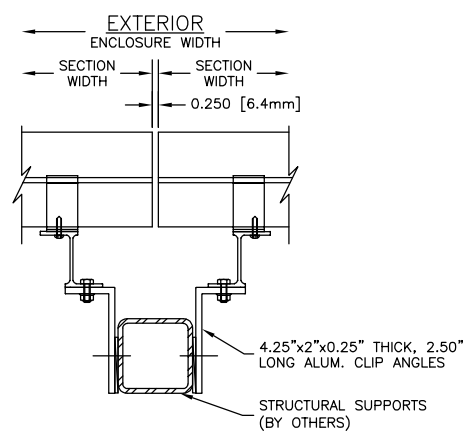


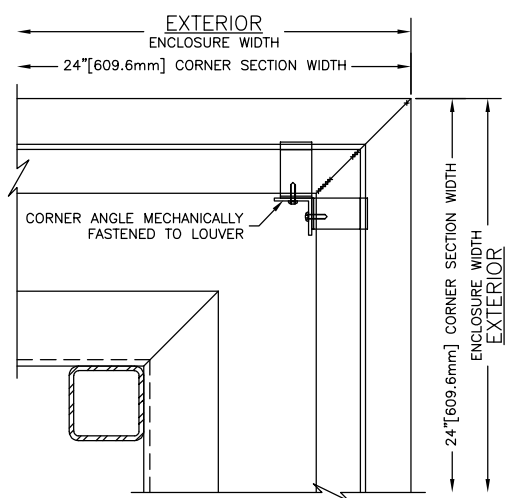
APPROVER NOTE:
APPROVER TO INDICATE SIZES AND SPACING OF ALL VERTICAL & HORIZONTAL SUPPORTS.



HORIZONTAL SECTION WITH OPTIONAL BOXED CORNER



ALTERNATE VERTICAL MULLION AT SUPPORT



OPTIONAL MITERED CORNER

 <p>AIROLITE The look that works.™</p>	MODEL: SCB601
	SHEET: 1 OF 1