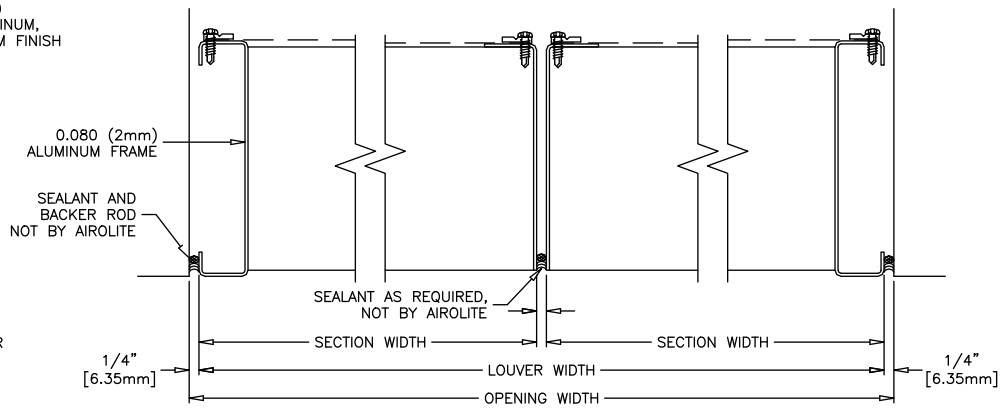
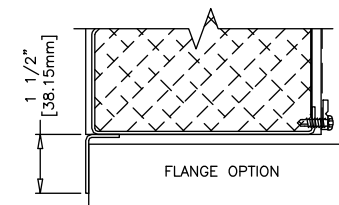
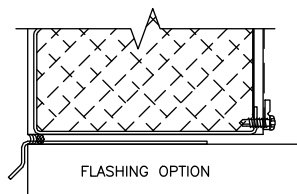


VISIBLE VERTICAL MULLION



CONCEALED VERTICAL MULLION



MODEL: T9106

SHEET:1 OF 4