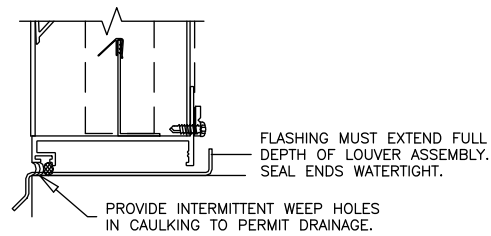
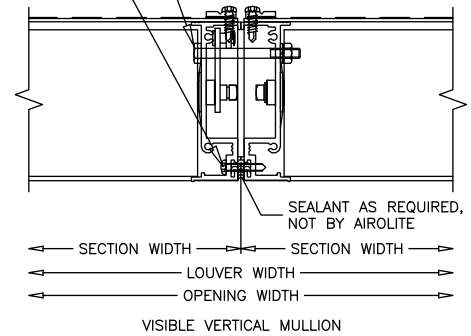
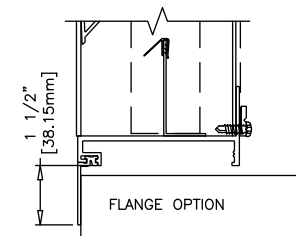


1/4-20 x 2.5 HWH BOLT & NUT  
 FIELD DRILL & INSTALL 1 @ HEAD.  
 #10 x 1 HWH SS TEK  
 ALTERNATE DIRECTION 16" O.C.  
 FIELD DRILLED AND INSTALLED



FLASHING OPTION



MODEL: T6784

SHEET: 1 OF 1