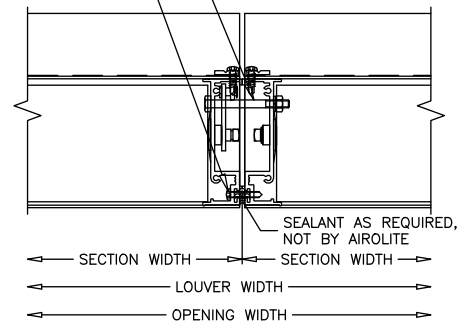
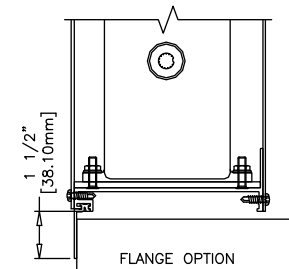
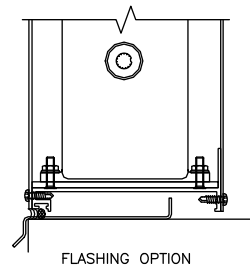


1/4-20 x 2.5 HWH BOLT & NUT FIELD DRILL & INSTALL 1 @ HEAD.

#10 x 1 HWH SS TEK ALTERNATE DIRECTION 16" O.C. FIELD DRILLED AND INSTALLED



VISIBLE VERTICAL MULLION



MODEL: T6784E

SHEET:1 OF 1