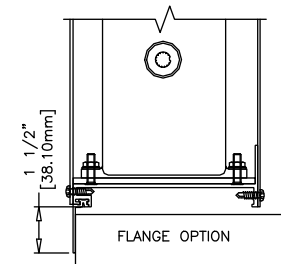
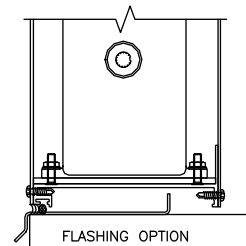
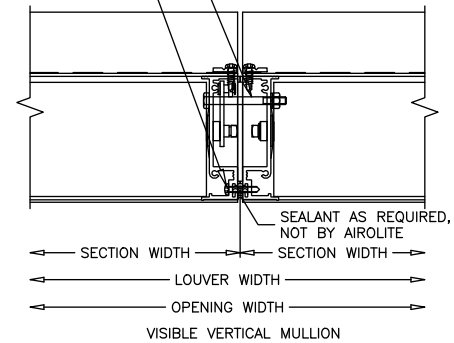


1/4-20 x 2.5 HWH BOLT & NUT  
FIELD DRILL & INSTALL 1 @ HEAD.

#10 x 1 HWH SS TEK  
ALTERNATE DIRECTION 16" O.C.  
FIELD DRILLED AND INSTALLED



MODEL: K8204E

SHEET: 1 OF 1