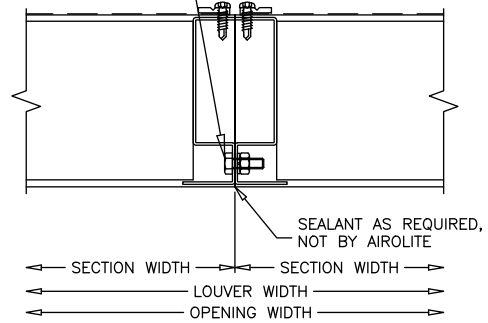
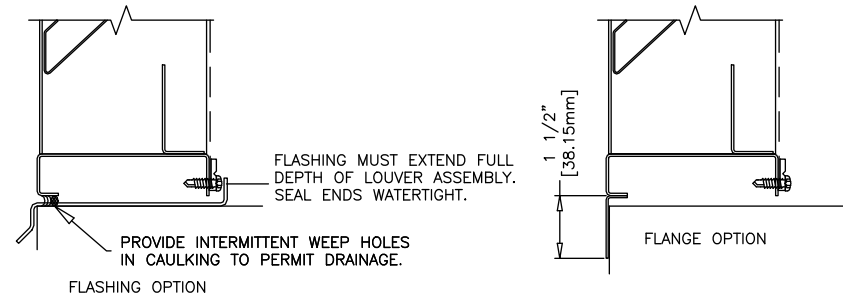


CONCEALED VERTICAL MULLION

1/4-20 x 3/4" HWH BOLT, NUT & LOCKWASHER, FIELD DRILLED AND INSTALLED @ 16" O.C.



VISIBLE VERTICAL MULLION



 AIROLITE The look that works.™	MODEL: 6774
	SHEET: 1 OF 1