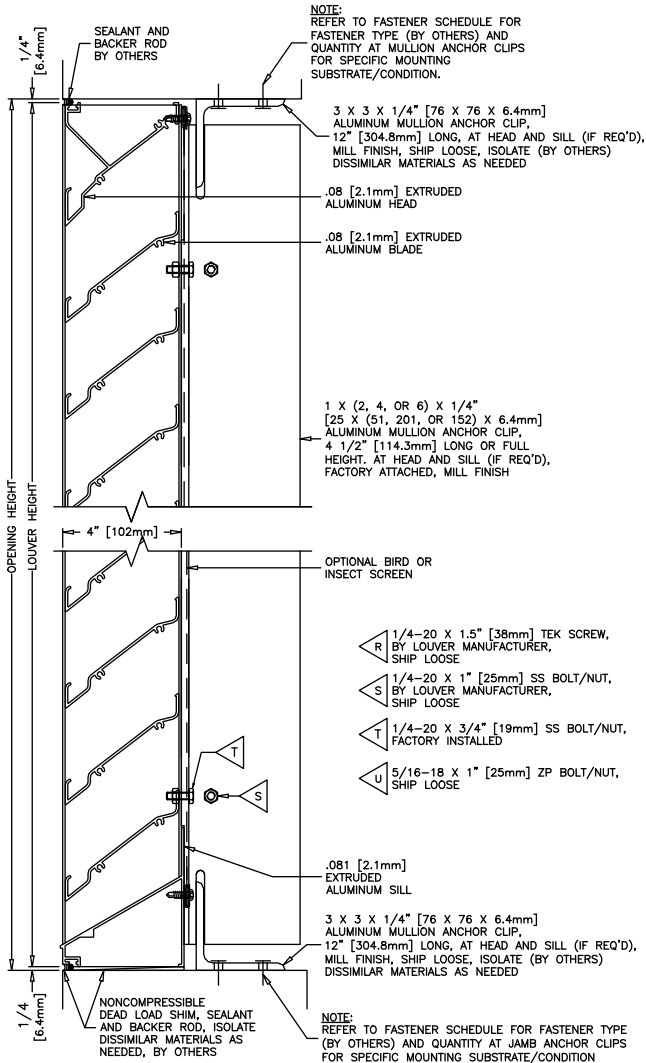
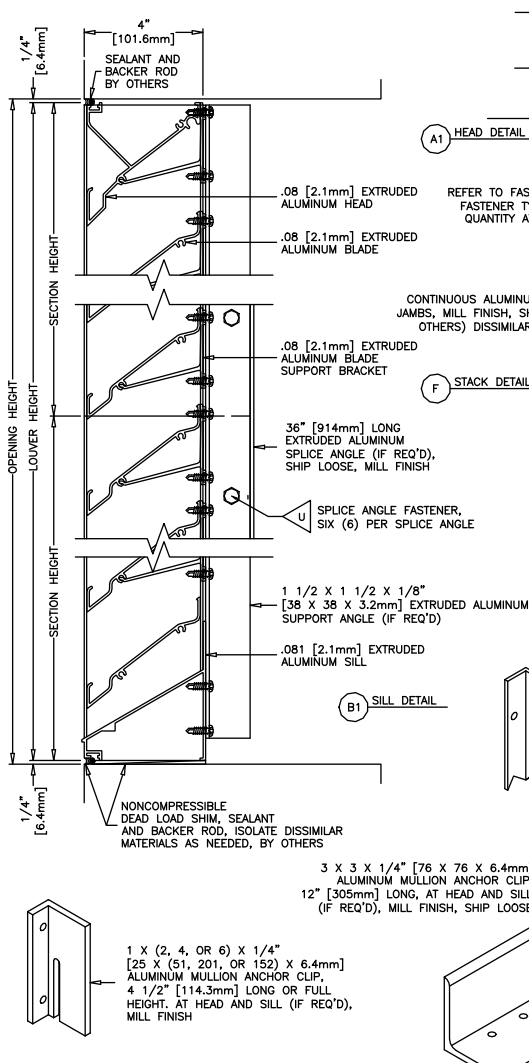


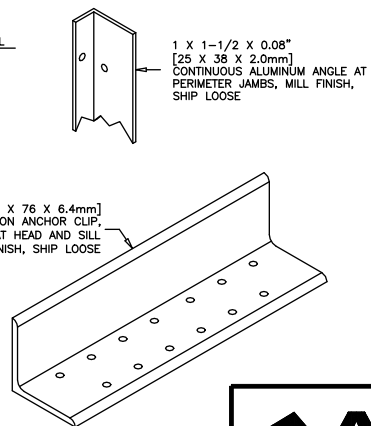
A HEAD DETAIL



B SILL DETAIL



B1 SILL DETAIL



ALTERNATE JAMB CONFIGURATION (ADDITIONAL UNDERSIZING REQ'D, PLEASE CONSULT FACTORY)

A1 HEAD DETAIL

F STACK DETAIL

C JAMB DETAIL

D MULLION DETAIL

E SUPPORT DETAIL

AIROLITE
The look that works.™

MODEL: K6744X
SHEET: 1 OF 1

© COPYRIGHT 2012, THE AIROLITE CO. LLC