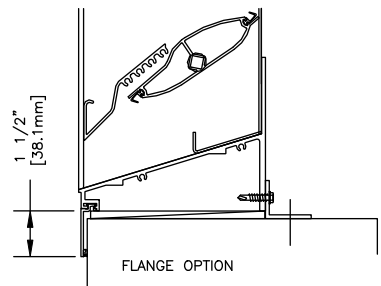
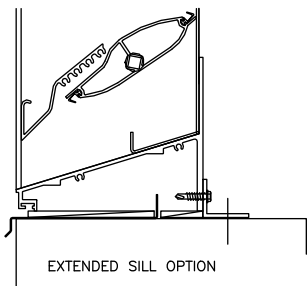
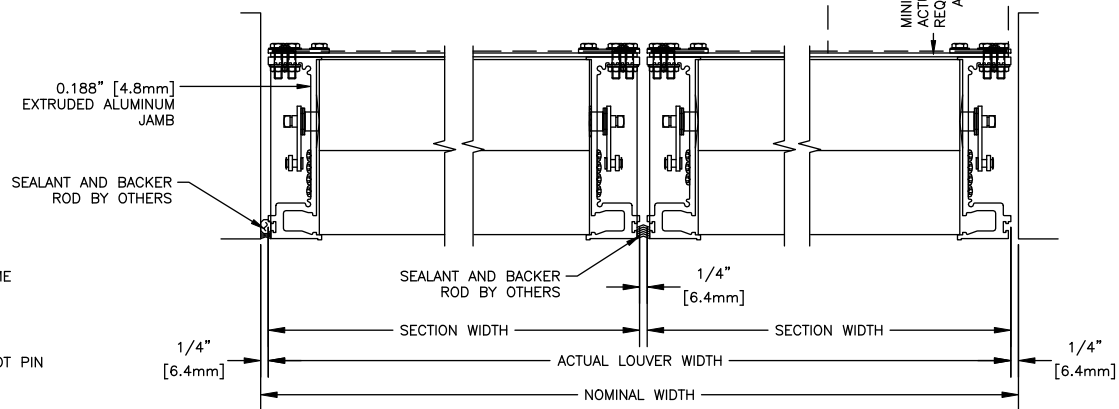


CONTINUOUS ANGLE TO LOUVER FRAME SCREW

| LOUVER HEIGHT (IN) | MAXIMUM SPACING (IN) |
|--------------------|----------------------|
| >108 | 3.75 |
| ≤108 | 4 |



This drawing and the design represented are the confidential and proprietary property of The Airlite Company, LLC and may not be disclosed, loaned, copied or used for any purpose other than design review and approval without the expressed written consent of The Airlite Company, LLC.

AIROLITE
The look that works.™
Schofield, Wisconsin USA

MODEL: K8206AMD SHEET: 1