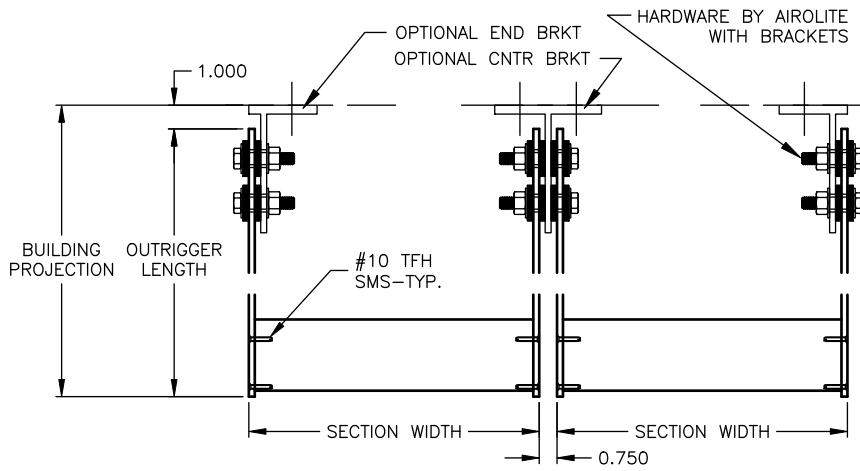
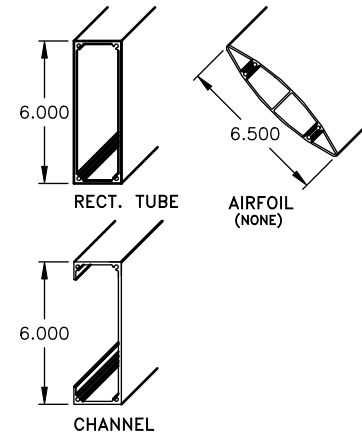
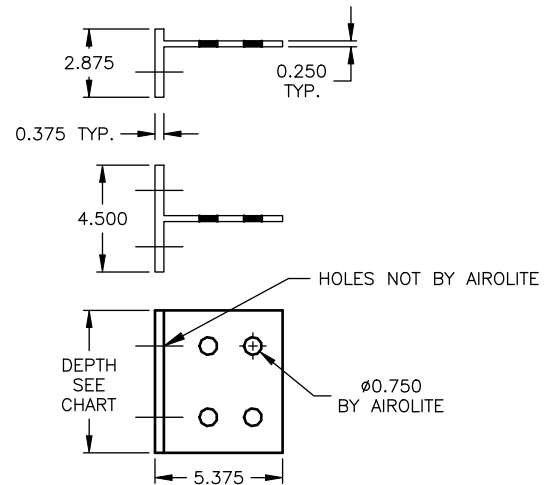


DEPTH = 8.00"	IF FASCIA TYPE = ROUND	SECTION SUPPORT STRAP QTY.
DEPTH = 6.00"	IF FASCIA TYPE = RECT. TUBE	> 96" < 144"    1 - CENTERED
DEPTH = 6.00"	IF FASCIA TYPE = CHANNEL	
DEPTH = 6.00"	IF FASCIA TYPE = NONE	

**OPTIONAL FASCIA  
OUTRIGGER STYLE WILL VARY**



**OPTIONAL MOUNTING BRACKETS**



	MODEL: ASC6
	SHEET: 1 OF 1