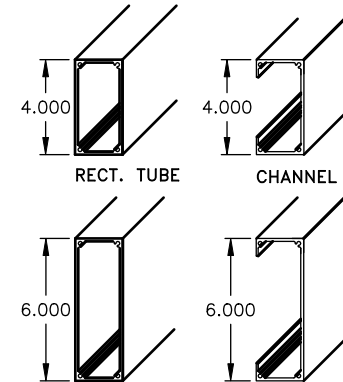


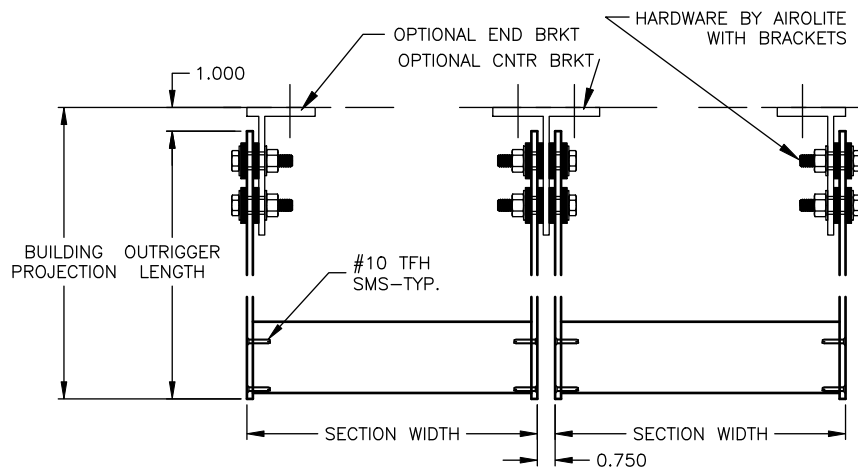
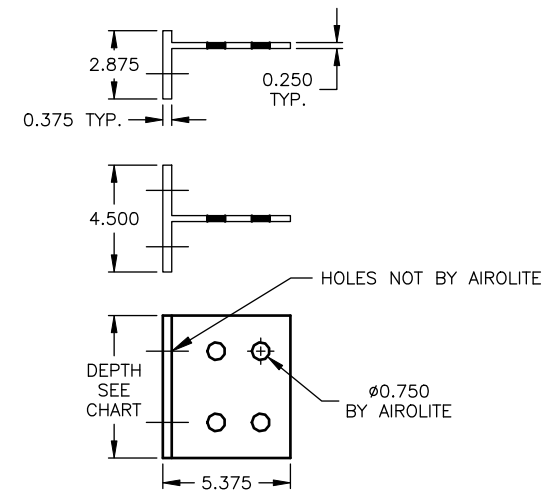
OPTIONAL FASCIA
OUTRIGGER STYLE WILL VARY



DEPTH =	6.00"	IF FASCIA TYPE =	ROUND
DEPTH =	4.00"	IF FASCIA TYPE =	4" RECT. TUBE
DEPTH =	6.00"	IF FASCIA TYPE =	6" RECT. TUBE
DEPTH =	4.00"	IF FASCIA TYPE =	4" CHANNEL
DEPTH =	6.00"	IF FASCIA TYPE =	6" CHANNEL

SECTION SUPPORT STRAP QTY.	
> 48" < 96"	1 - CENTERED
> 96"	2 - EQUAL SPACED

OPTIONAL MOUNTING BRACKETS



MODEL: TSC4
SHEET: 1 OF 1