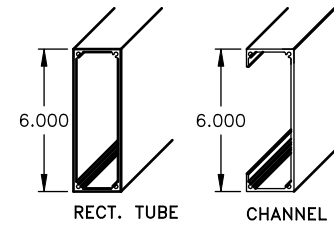
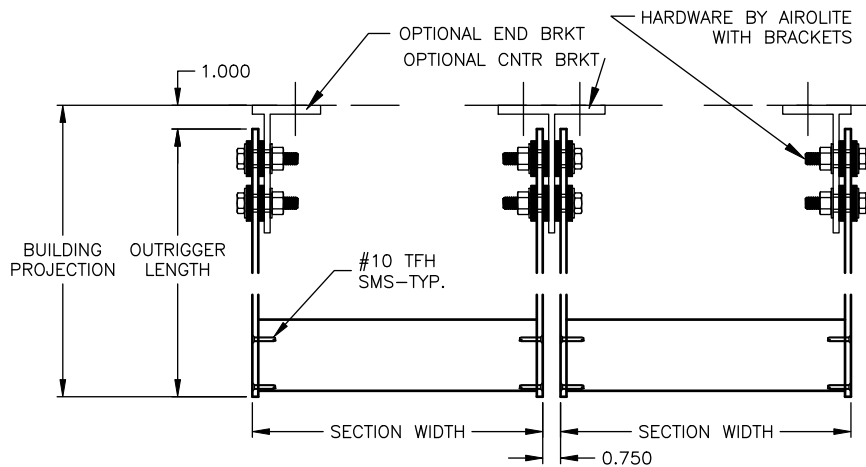
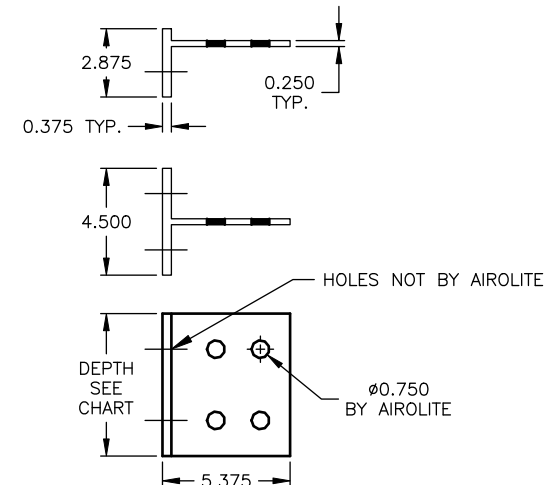


OPTIONAL FASCIA
OUTRIGGER STYLE WILL VARY



DEPTH = 8.00"	IF FASCIA TYPE = ROUND	SECTION SUPPORT STRAP QTY. > 48" < 96" 1 - CENTERED
DEPTH = 6.00"	IF FASCIA TYPE = RECT. TUBE	> 96" 2 - EQUAL SPACED
DEPTH = 6.00"	IF FASCIA TYPE = CHANNEL	

OPTIONAL MOUNTING BRACKETS



	MODEL: ZSC4
	SHEET: 1 OF 1