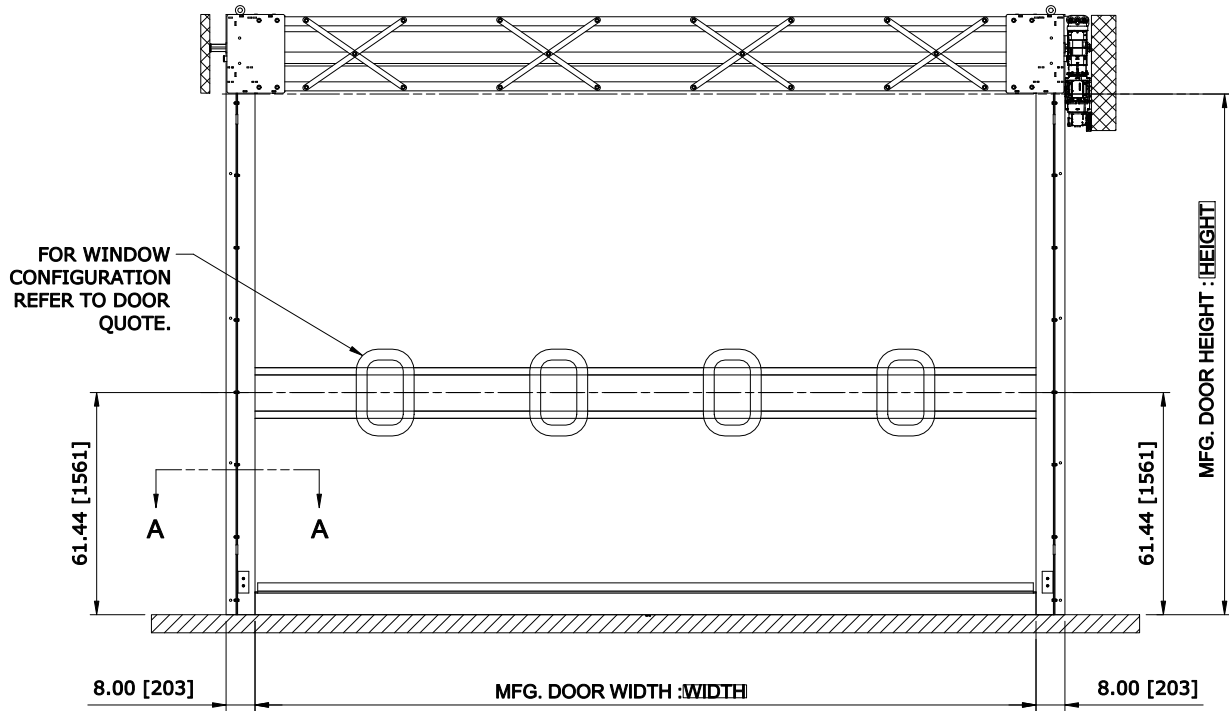
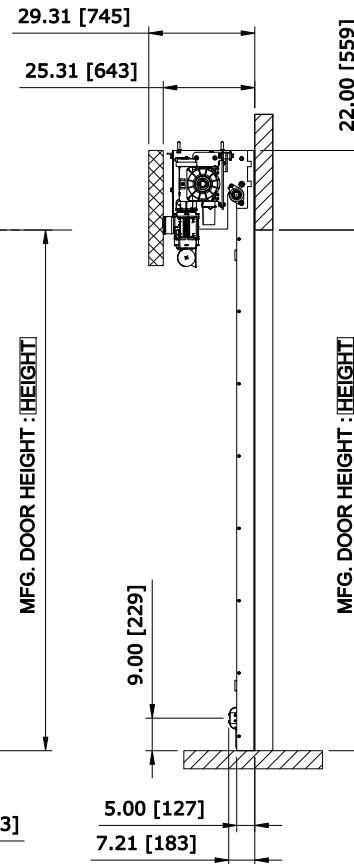


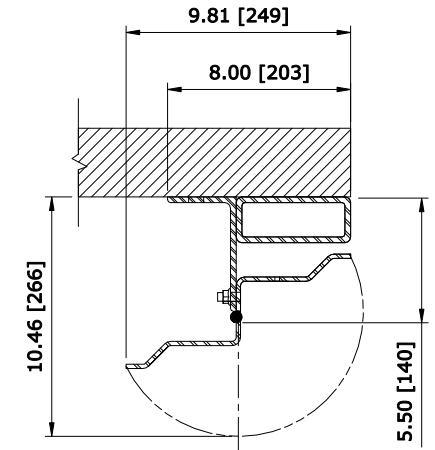
**TOP VIEW**



**FRONT VIEW**



**RIGHT VIEW**



**SECTION A-A**

 RECOMMENDED FOR MAINTENANCE.

**22" LOW HEADROOM UNBALANCED RH**  
**CONTROL PANEL:**  
**[CONTROLS]**

CUSTOMER:		SCALE = NOT TO SCALE	
LOCATION:		APPROVED BY:	APPROVED WITH CHANGES BY:
SALESMAN / DEALER:		DATE:	DATE:
DESCRIPTION: <b>ULTRA TOUGH APPROVAL DRAWINGS</b>			
DRAWING NO:		DESIGNER:	DATE:
8300T0054		J. Reitz	1/22/2016
Rev	Change	Date	Name