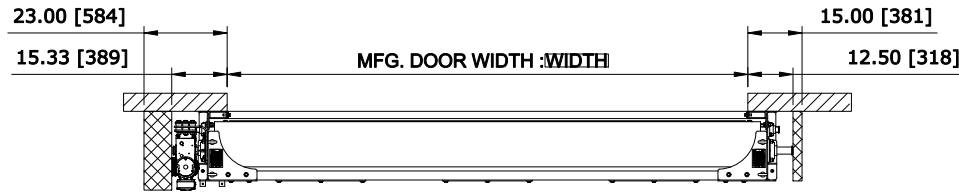
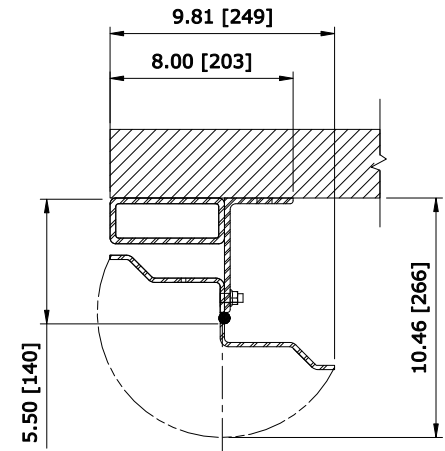


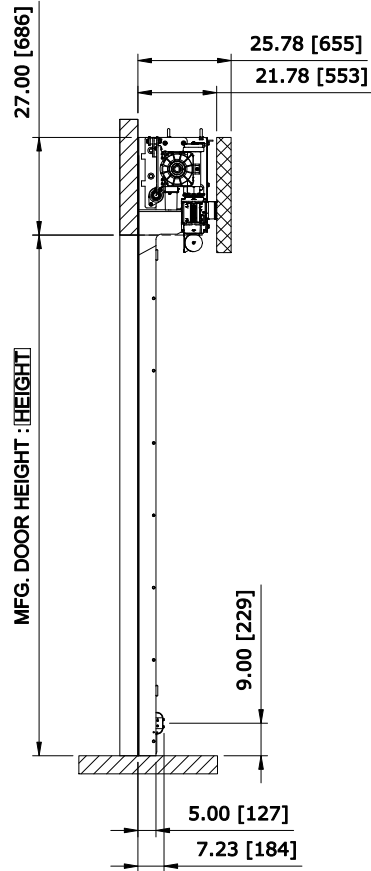
 RECOMMENDED FOR MAINTENANCE.



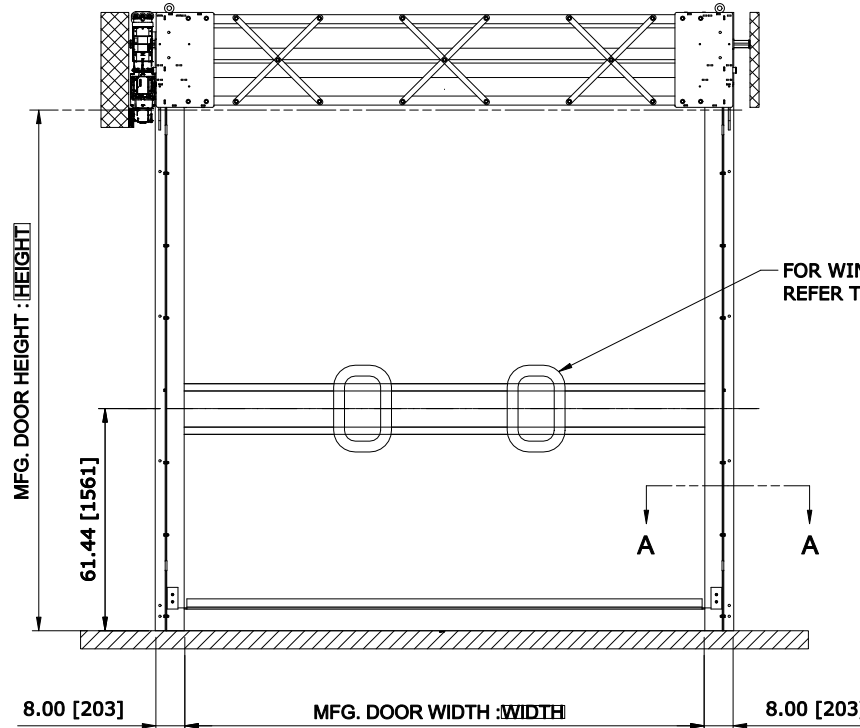
**TOP VIEW**



**SECTION A-A**



**LEFT VIEW**



**FRONT VIEW**

**27" STANDARD HEADROOM UNBALANCED DIRECT DRIVE.**  
**CONTROL PANEL:**  
**CONTROLS**

CUSTOMER:		SCALE = NOT TO SCALE	
LOCATION:		APPROVED BY:	APPROVED WITH CHANGES BY:
SALESMAN / DEALER:		DATE:	DATE:
DESCRIPTION: <b>ULTRA TOUGH APPROVAL DRAWINGS</b>			
DRAWING NO:		DESIGNER:	DATE:
Rev	Change	Date	Name
8300T0056		J. Fisher	01/05/2017