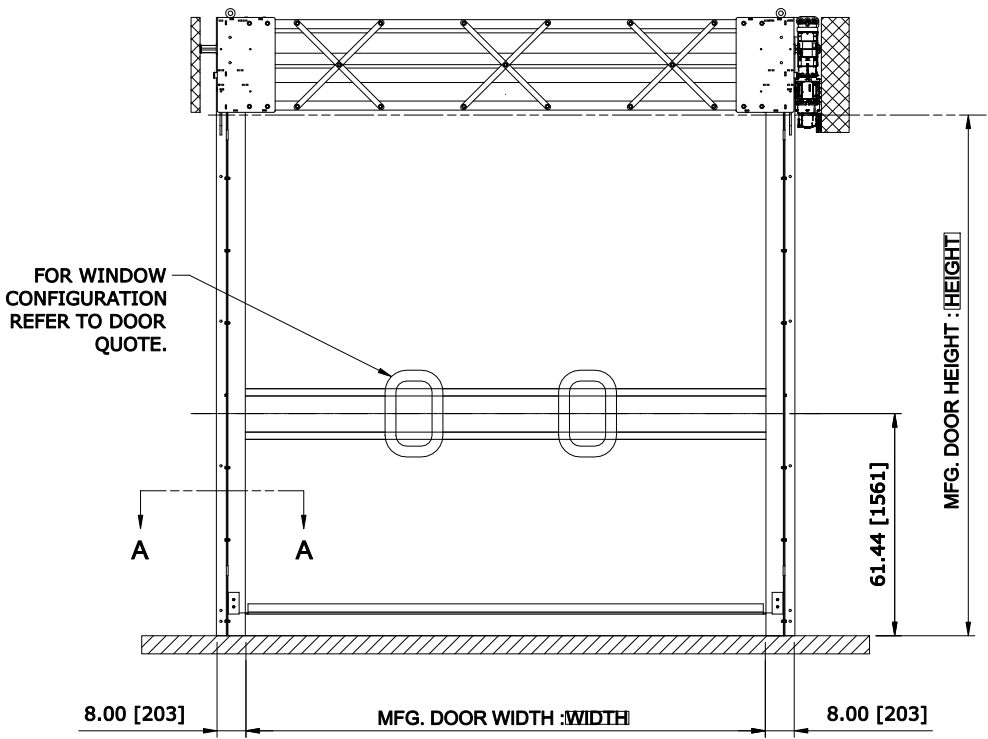
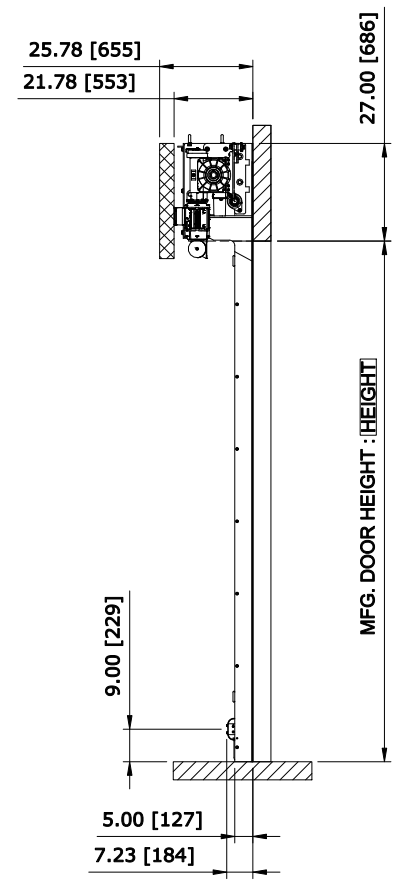


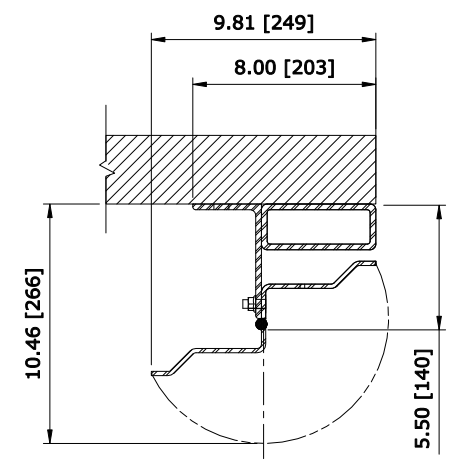
**TOP VIEW**



**FRONT VIEW**



**RIGHT VIEW**



**SECTION A-A**

 **RECOMMENDED FOR MAINTENANCE.**

**27" STANDARD HEADROOM UNBALANCED DIRECT DRIVE RH**  
**CONTROL PANEL:**  
**[CONTROLS]**

CUSTOMER:		SCALE = NOT TO SCALE	
LOCATION:		APPROVED BY:	APPROVED WITH CHANGES BY:
SALESMAN / DEALER:		DATE:	DATE:
DESCRIPTION: <b>ULTRA TOUGH APPROVAL DRAWINGS</b>			
DRAWING NO: 8300T0057		DESIGNER: J. Reitz	DATE: 01/22/2017
Rev	Change	Date	Name