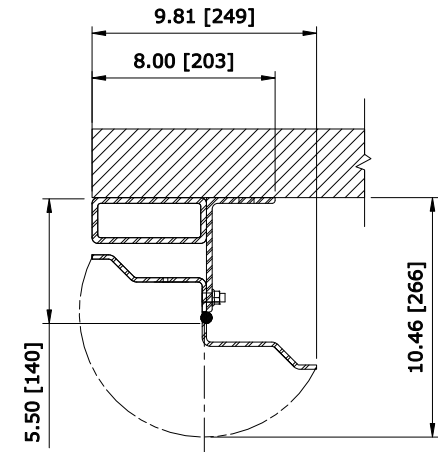
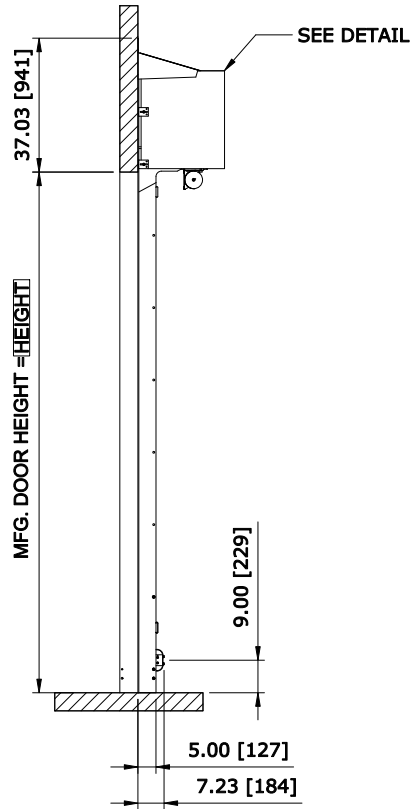


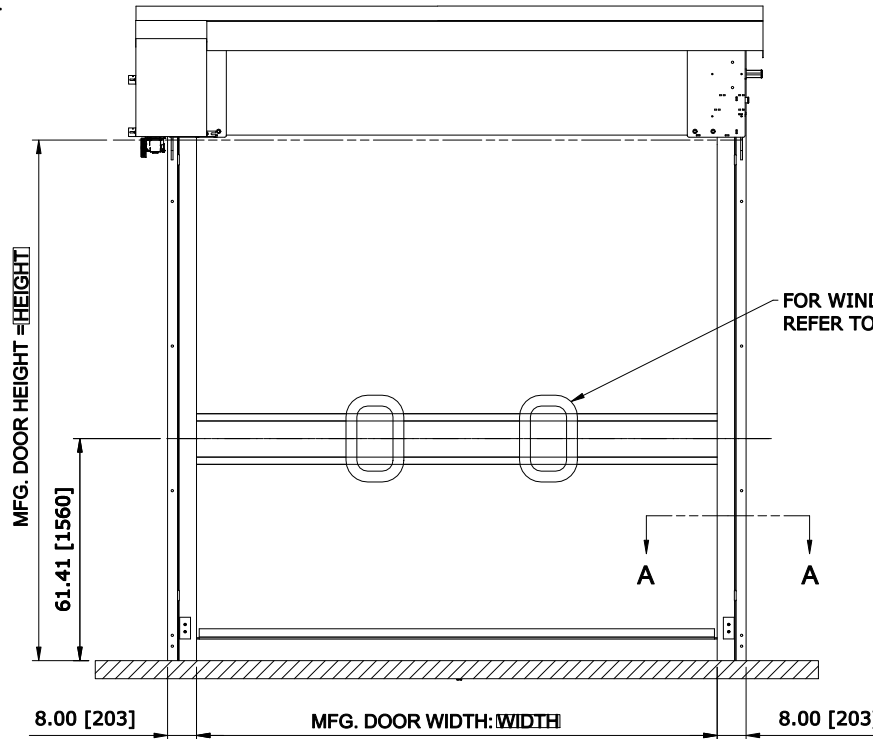
TOP VIEW



SECTION A-A

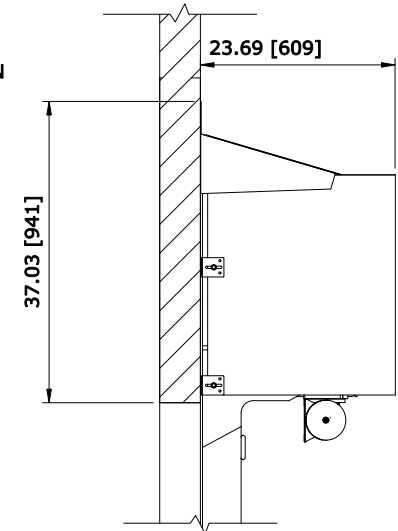


LEFT VIEW



FRONT VIEW

FOR WINDOW CONFIGURATION REFER TO DOOR QUOTE.



DETAIL (NTS)

27" STANDARD HEADROOM UNBLANCED DRIECT DRIVE W/ COVER LH
CONTROL PANEL:
CONTROLS

CUSTOMER:		SCALE = NOT TO SCALE	
LOCATION:		APPROVED BY:	APPROVED WITH CHANGES BY:
SALESMAN / DEALER:		DATE:	DATE:
DESCRIPTION: ULTRA TOUGH APPROVAL DRAWINGS			
DRAWING NO:		DESIGNER:	DATE:
8300T0058		J. Fisher	01/09/2017
Rev	Change	Date	Name