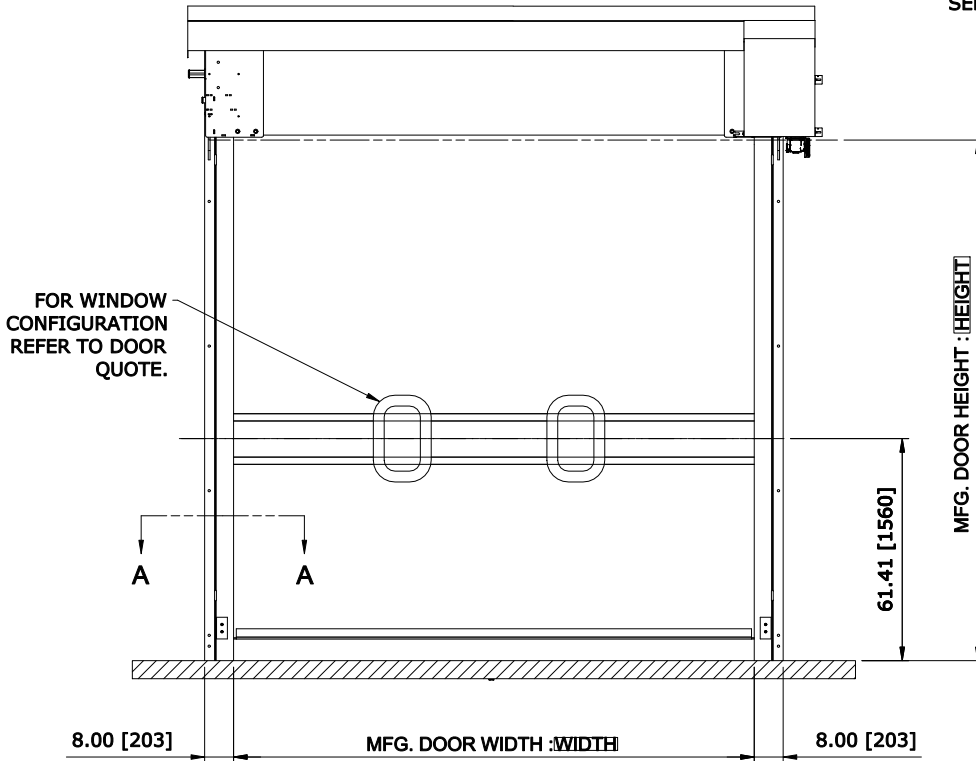
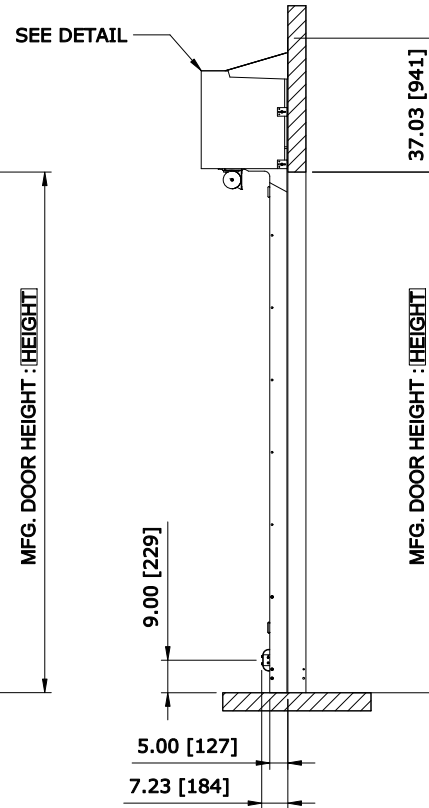


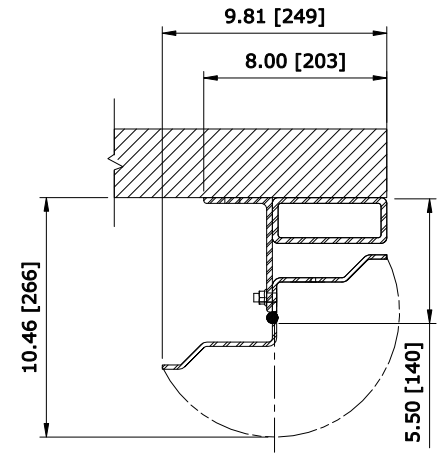
**TOP VIEW**



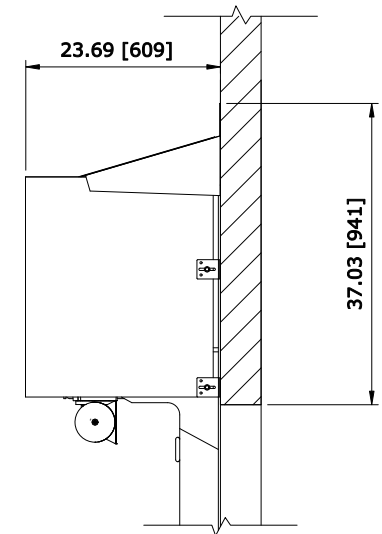
**FRONT VIEW**



**RIGHT VIEW**



**SECTION A-A**



**DETAIL (NTS)**

**27" STANDARD HEADROOM UNBLANCED DRIECT DRIVE W/ COVER RH**

**CONTROL PANEL:  
CONTROLS**

CUSTOMER:		SCALE = NOT TO SCALE	
LOCATION:		APPROVED BY:	APPROVED WITH CHANGES BY:
SALESMAN / DEALER:		DATE:	DATE:
DESCRIPTION: <b>ULTRA TOUGH APPROVAL DRAWINGS</b>			
DRAWING NO:		DESIGNER:	DATE:
8300T0059		J. Reitz	01/22/2017
Rev	Change	Date	Name