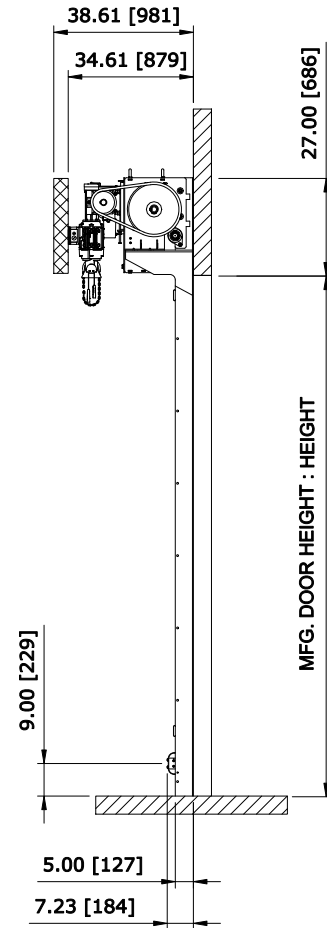
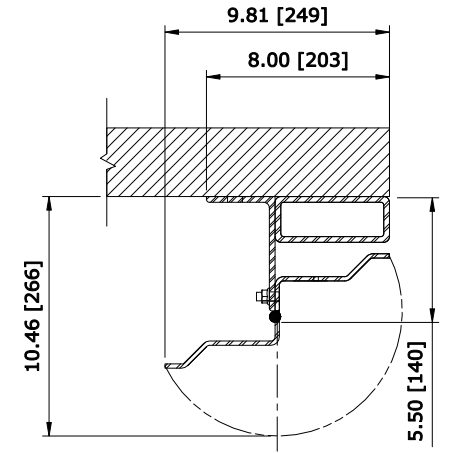


TOP VIEW

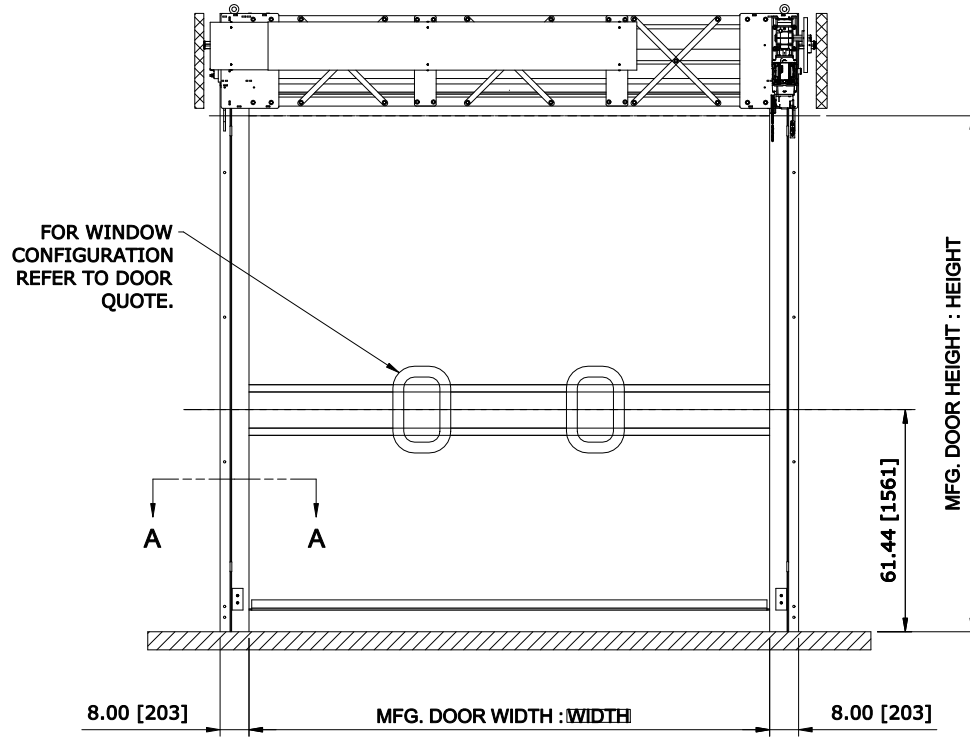
RECOMMENDED FOR MAINTENANCE.



RIGHT VIEW



SECTION A-A



FRONT VIEW

27" STANDARD HEADROOM BALANCED CHAIN DRIVE NO COVERS RH

**CONTROL PANEL:
[CONTROLS]**

CUSTOMER:		SCALE = NOT TO SCALE	
LOCATION:		APPROVED BY:	APPROVED WITH CHANGES BY:
SALESMAN / DEALER:		DATE:	DATE:
DESCRIPTION: ULTRA TOUGH APPROVAL DRAWINGS			
DRAWING NO: 8300T0061		DESIGNER: J. Reitz	DATE: 01/22/2017
Rev	Change	Date	Name