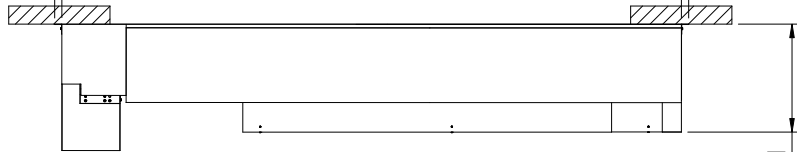
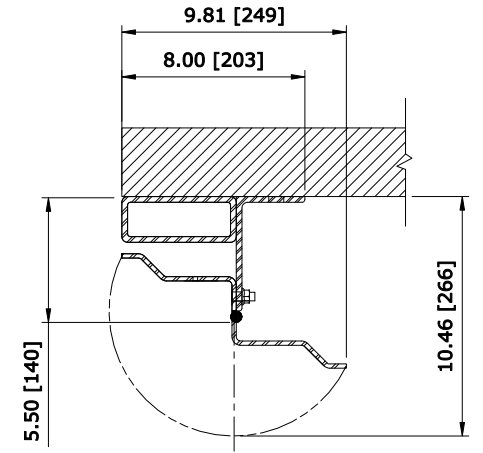


RECOMMENDED FOR MAINTENANCE.

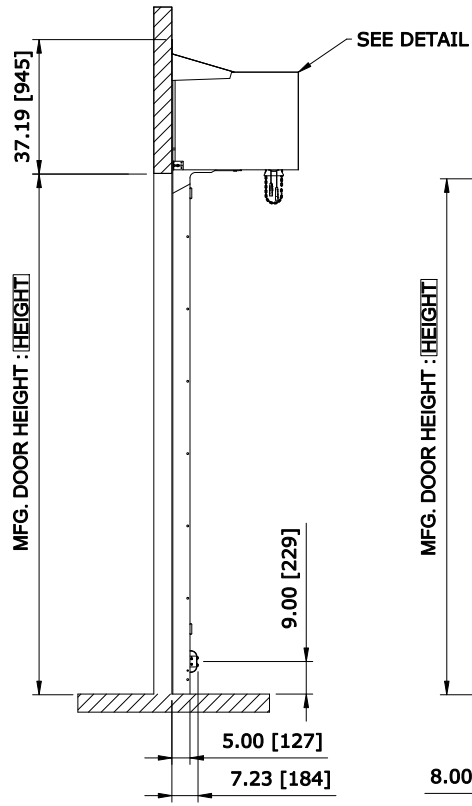
15.29 [388]
13.30 [338] MFG. DOOR WIDTH : [WIDTH] 16.05 [408]
14.04 [357]



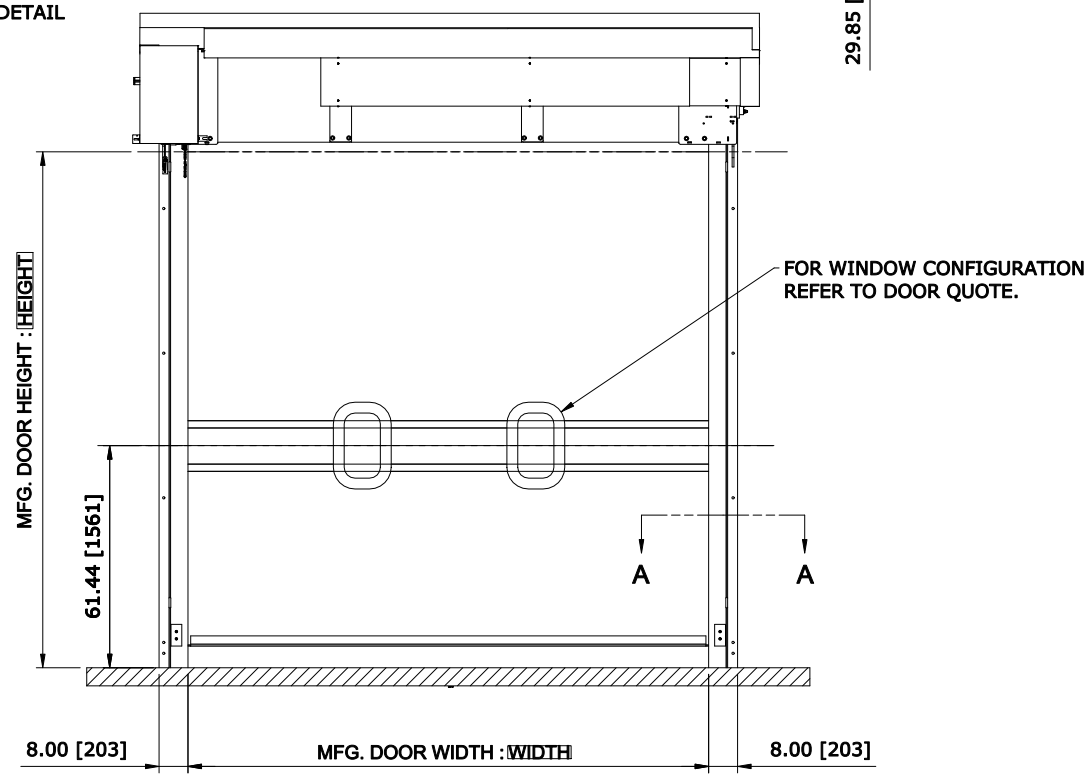
TOP VIEW



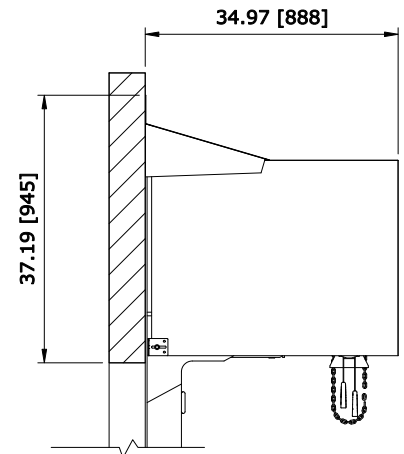
SECTION A-A



LEFT VIEW



FRONT VIEW



DETAIL (NTS)

27" STANDARD HEADROOM BALANCED CHAIN DRIVE WITH COVERS LH

CONTROL PANEL:
CONTROLS

| | | | |
|---|--------|------------------------|---------------------------|
| CUSTOMER: | | SCALE = NOT TO SCALE | |
| LOCATION: | | APPROVED BY: | APPROVED WITH CHANGES BY: |
| SALESMAN / DEALER: | | DATE: | DATE: |
| DESCRIPTION: ULTRA TOUGH APPROVAL DRAWINGS | | | |
| DRAWING NO: 8300T0062 | | DESIGNER: J. Fisher | DATE: 01/13/2017 |
| Rev | Change | Date | Name |