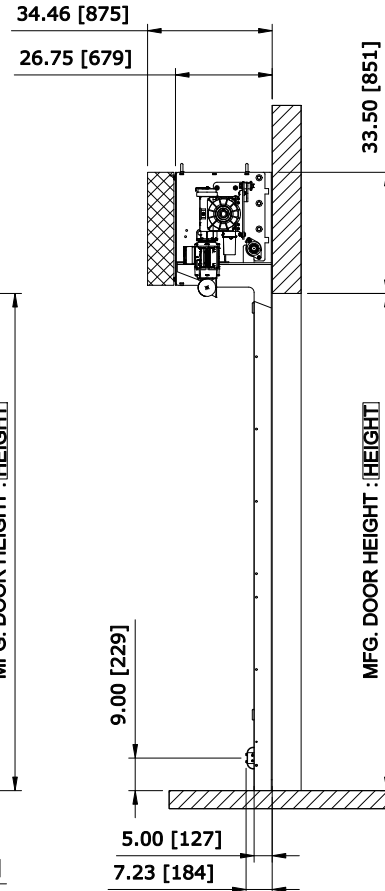
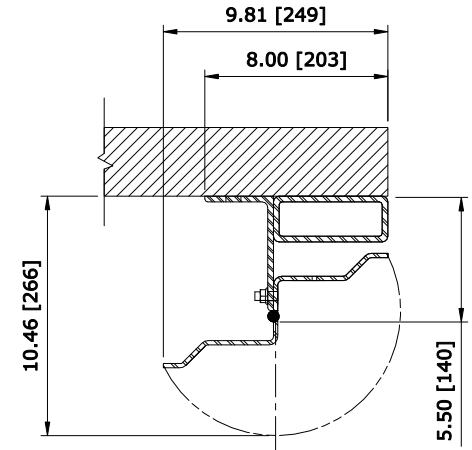


TOP VIEW

RECOMMENDED FOR MAINTENANCE.

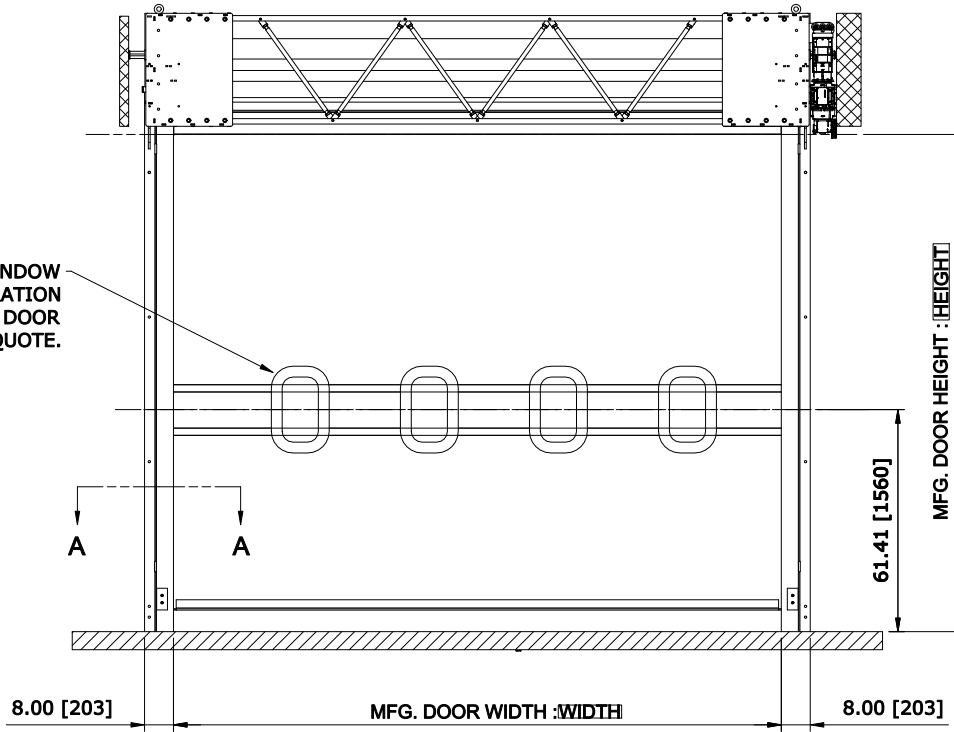


RIGHT VIEW



SECTION A-A

FOR WINDOW CONFIGURATION REFER TO DOOR QUOTE.



FRONT VIEW

33.5" HEADROOM UNBALANCED DIRECT DRIVE NO COVER RH
CONTROL PANEL:
[CONTROLS]

CUSTOMER:		SCALE = NOT TO SCALE	
LOCATION:		APPROVED BY:	APPROVED WITH CHANGES BY:
SALESMAN / DEALER:		DATE:	DATE:
DESCRIPTION: ULTRA TOUGH APPROVAL DRAWINGS			
DRAWING NO:		DESIGNER:	DATE:
8300T0065		J. REITZ	01/23/2017
Rev	Change	Date	Name