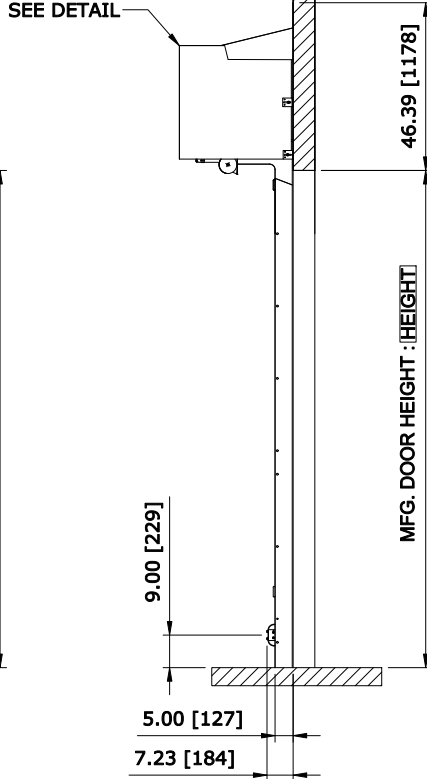
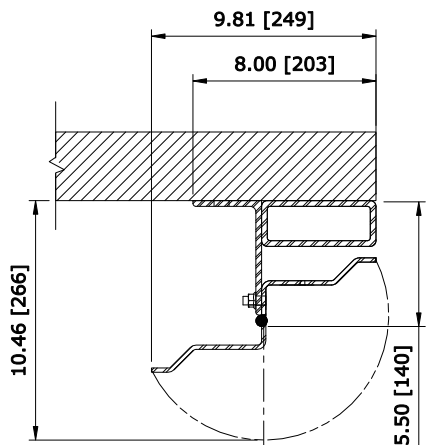


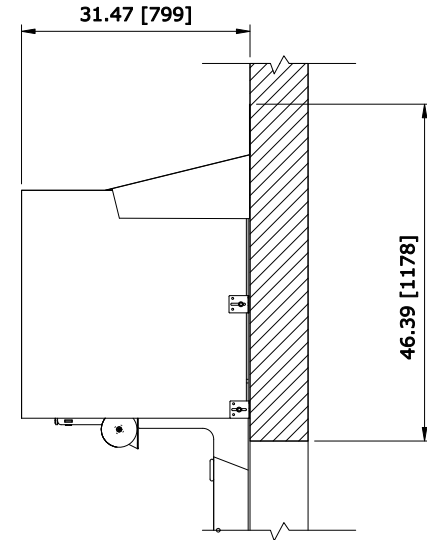
**FRONT VIEW**



**RIGHT VIEW**



**SECTION A-A**



**DETAIL (NTS)**

**33.5" HEADROOM UNBALANCED DIRECT DRIVE WITH COVER RH**

CONTROL PANEL:  
CONTROLS

CUSTOMER:		SCALE = NOT TO SCALE	
LOCATION:		APPROVED BY:	APPROVED WITH CHANGES BY:
SALESMAN / DEALER:		DATE:	DATE:
DESCRIPTION: <b>ULTRA TOUGH APPROVAL DRAWINGS</b>			
DRAWING NO: 8300T0067		DESIGNER: J. REITZ	DATE: 01/23/2017
Rev	Change	Date	Name