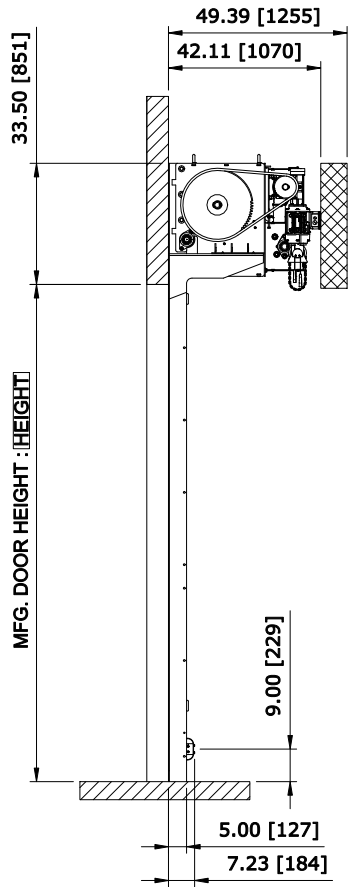
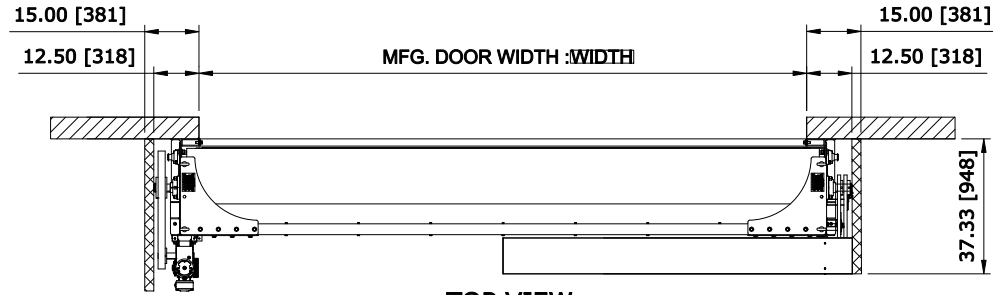


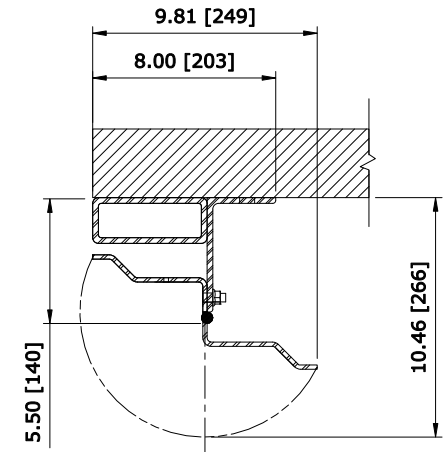
 RECOMMENDED FOR MAINTENANCE.



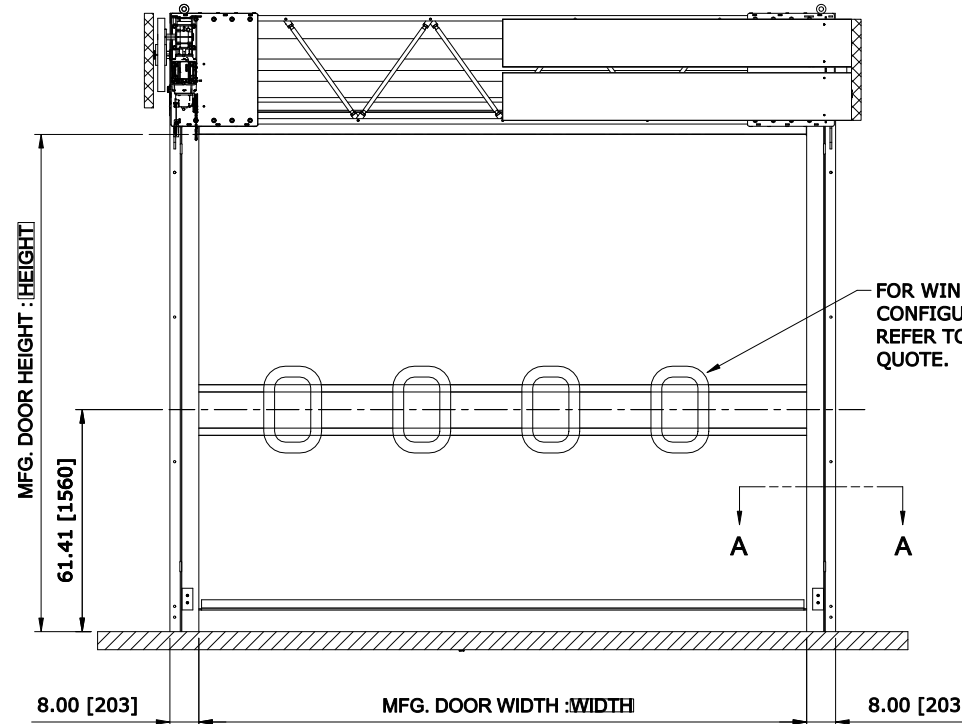
**LEFT VIEW**



**TOP VIEW**



**SECTION A-A**



**FRONT VIEW**

**33.5" HEADROOM BALANCED CHAIN DRIVE NO COVER LH**

CONTROL PANEL:  
[CONTROLS]

CUSTOMER:		SCALE = NOT TO SCALE	
LOCATION:		APPROVED BY:	APPROVED WITH CHANGES BY:
SALESMAN / DEALER:		DATE:	DATE:
DESCRIPTION: <b>ULTRA TOUGH APPROVAL DRAWINGS</b>			
DRAWING NO: 8300T0072		DESIGNER: J. Fisher	DATE: 01/10/2017
Rev	Change	Date	Name