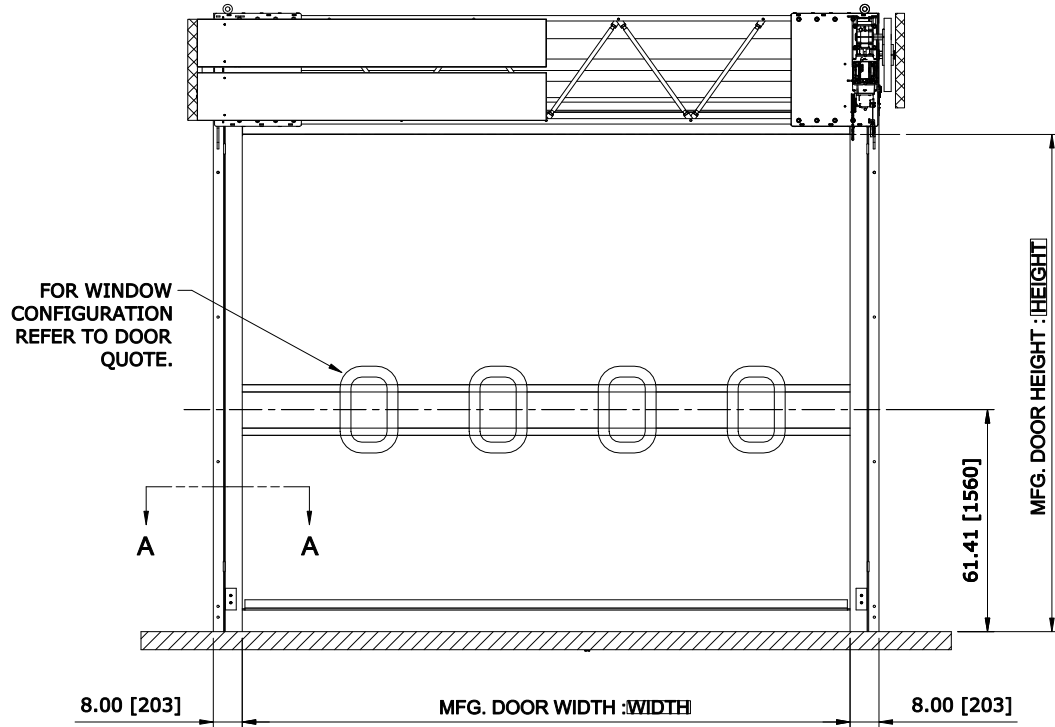
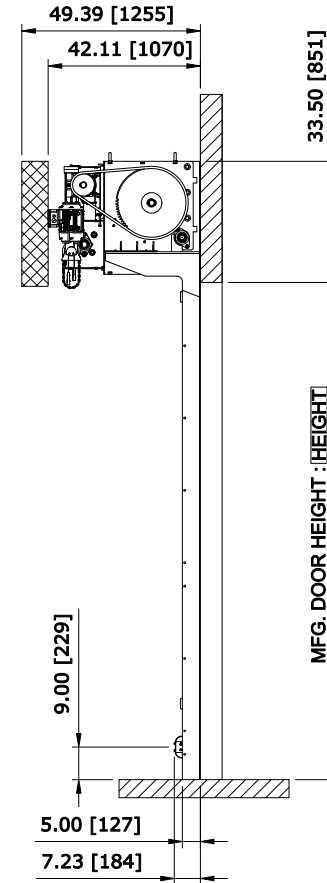


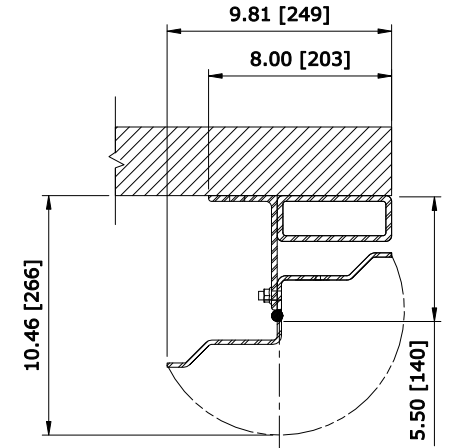
TOP VIEW



FRONT VIEW



RIGHT VIEW



SECTION A-A

 RECOMMENDED FOR MAINTENANCE.

33.5" HEADROOM BALANCED CHAIN DRIVE NO COVER RH  
CONTROL PANEL:  
CONTROLS

CUSTOMER:		SCALE = NOT TO SCALE	
LOCATION:		APPROVED BY:	APPROVED WITH CHANGES BY:
SALESMAN / DEALER:		DATE:	DATE:
DESCRIPTION: ULTRA TOUGH APPROVAL DRAWINGS			
DRAWING NO:		DESIGNER:	DATE:
8300T0073		J. Reitz	01/23/2017
Rev	Change	Date	Name